

**Series 4, Wall-mounted cooker hood,  
75 cm, Stainless steel  
DWB77IM50**



DHZ1225	Chimney extension 1000 mm
DHZ1235	Chimney extension 1500 mm
DWZ0DX0A0	Standard odor filter (replacement)
DWZ0DX0U0	Standard recirculation kit
DWZ1DX1B4	Clean Air Standard odor filter (repl.)
DWZ1DX1I4	Clean Air Standard recirculation kit
DWZ1FX5C6	Clean Air Plus recirc. kit external
DWZ1FX5D1	Long Life recirculation kit external
DZZ0XX0P0	Long Life odor filter (replacement)
DZZ1XX1B6	Clean Air Plus odor filter (replacement)

**Box-design hood: performance and  
matching kitchen design bundled in one  
hood.**

- **Silence:** maximal extractor performance with little noise
- **TouchSelect control:** quick touch-control selection of desired settings and light.
- **Intensive speed setting:** removes strong kitchen odours especially quickly and effectively.

Typology: .....Wall-mounted  
 Length electrical supply cord: ..... 130.0 cm  
 Height of the chimney: ..... 583-912/583-1022 mm  
 Height of product, without chimney: ..... 53 mm  
 Net weight: ..... 13.0 kg  
 Type of control: .....Electronic  
 Number of speed settings: ..... 3-stages + intensive setting  
 Max. air extraction: .....454 m<sup>3</sup>/h  
 Boost position output recirculating: .....499 m<sup>3</sup>/h  
 Max. air recirculation: ..... 404 m<sup>3</sup>/h  
 Boost position air extraction: ..... 739 m<sup>3</sup>/h  
 Number of lights: .....2  
 Noise level: .....65 dB(A) re 1 pW  
 Diameter of air outlet: ..... 120 / 150 mm  
 Grease filter material: ..... Washable stainless steel  
 Odour filter: ..... No  
 Operating Mode: .....Exhaust / Recirculation (Accessory available separately)  
 Optional accessories: .....DHZ1225, DHZ1235, DWZ0DX0A0, DWZ0DX0U0, DWZ1DX1B4, DWZ1DX1I4, DWZ1FX5C6, DWZ1FX5D1, DZZ0XX0P0, DZZ1XX1B6  
 Type of lamps used: ..... LED  
 Grease filter type: .....Kassette  
 Clean filter reminders: .....No  
 Connection rating: ..... 255 W  
 Fuse protection: .....10 A  
 Voltage: ..... 220-240 V  
 Frequency: ..... 50; 60 Hz  
 Plug type: ..... Gardy plug w/ earthing  
 Installation typology: .....Wall-mounted  
 Material body: ..... Stainless steel  
 Plug type: ..... Gardy plug w/ earthing  
 Dimensions of the product, with chimney (if exists) (in): .....x x  
 Dimensions of the packed product: ..... 19.29 x 25.59 x 34.64  
 Net weight: .....29.000 lbs  
 Gross weight: ..... 40.000 lbs  
 Motor location: ..... Integrated motor in hood chimney  
 No-return airflow flap: ..... Yes  
 Length electrical supply cord: ..... 130.0 cm  
 Dimensions of the product, with chimney (if exists): .635-1075 MM x 750.0 x 500.0 mm  
 Dimensions of the packed product (HxWxD): ..... 490 x 650 x 880 mm  
 Net weight: ..... 13.0 kg  
 Gross weight: ..... 18.1 kg



## Series 4, Wall-mounted cooker hood, 75 cm, Stainless steel DWB77IM50

### Box-design hood: performance and matching kitchen design bundled in one hood.

- Energy Efficiency Class: B (at a range of energy efficiency classes from A+++ to D)
- Average Energy Consumption: 62.5 kWh/year
- Blower Efficiency Class: B\*
- Lighting Efficiency Class: A
- Grease Filtering Efficiency Class: B
- Noise min./max. Normal Level: 52/65 dB

#### Variant

#### Design

#### Technical information

#### Performance

#### Power:

#### Environment and safety:

#### Comfort

#### Measures:

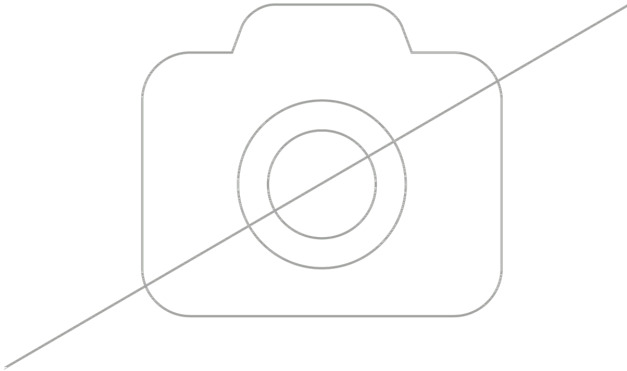
#### Technical information

- Wall Hood Brushed steel
- 75 cm Chimney hood, Brushed steel
- 75 cm Chimney hood
- 75 cm wide
- Suitable for ducted or re-circulated extraction
- For recirculated extraction standard recirculation kit or Clean Air Plus recirculation kit (accessory) needed
- Wall mounted hood
- TouchControl
- Electronic controls
- Electronic control via touch control
- TouchControl with Electronic display
- 3 speeds plus intensive setting via TouchControl
- Electronic controls via TouchControl with Electronic display
- TouchControl (3 speeds plus intensive setting) with Electronic display
- 3 speeds plus intensive setting
- Automatic revert setting, 6 minutes
- Twin channel high performance fan motor
- Energy efficient Capacitor motor
- 2 x 1,5 W LED
- Light Intensity: 214 lux
- Colour Temperature: 3500 K
- Stainless steel filter covers, dishwasher safe
- Metal grease fliter, dishwasher safe
- Extraction rate according to EN 61591 ø 15 cm: max. Normal use 453 m<sup>3</sup>/h Intensive 739 m<sup>3</sup>/h
- Extraction rate exhaust air according to EN 61591 max. 739 m<sup>3</sup>/h

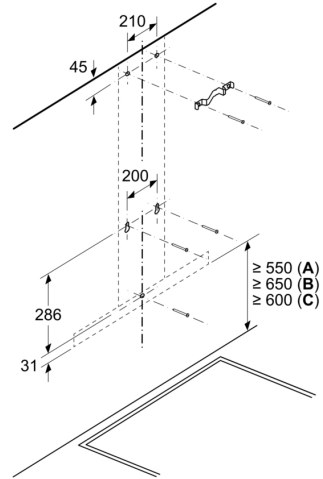
- Extraction rate according to EN 61591 ø 15 cm: max. Normal use 453 m<sup>3</sup>/h Intensive 739 m<sup>3</sup>/h
- Extraction rate exhaust air according to EN 61591:
  - max. normal use 453 m<sup>3</sup>/h, intensive 739 m<sup>3</sup>/h
- Noise level according to EN 60704-2-13 at max. normal use exhaust air: 64 dB(A) re 1 pW dB(A) re 1 pW
- Noise level according to EN 60704-2-13 exhaust air: Max. normal use: 65 dB(A) re 1 pW Intensive: 74 dB(A) re 1 pW
- Diameter pipe ø 150 mm (ø 120 mm enclosed)
- with one-way flap
- Max. extraction rate: 739 m<sup>3</sup>/h
- Dimensions exhaust air (HxWxD): 635-965 x 750 x 500 mm
- Dimensions recirculating (HxWxD): 635-1075 x 750 x 500 mm
- Dimensions recirculating with CleanAir Plus recirculation kit (HxWxD):
  - 703 x 750 x 500mm - mounting with outer chimney
  - 833-1163 x 750 x 500 mm - mounting with telescopic chimney
- Dimensions recirculating with cleanAir Plus recirculation kit (HxWxD);
  - 703 x 750 x 500mm - mounting with outer chimney
  - 833-1163 x 750 x 500 mm - mounting with telescopic chimney
- Dimensions recirculating with CleanAir Plus recirculation kit (HxWxD): 703 x 750 x 500 mm - mounting with outer chimney 833-1163 x 750 x 500 mm - mounting with telescopic chimney 703 x 750 x 500 mm - mounting with outer chimney 833-1163 x 750 x 500 mm - mounting with telescopic chimney
- Power rating: 255 W
- Electrical cable length 1.3 m m
- With the Clean Air Plus recirculation kit (available as optional accessory) your appliances reaches:
  - Extraction rate in recirculation mode: Max. normal use: 404 m<sup>3</sup>/h
  - Intensive: 499 m<sup>3</sup>/h
  - Noise level in recirculation mode: Max. normal use: 72 dB(A) re 1 pW
  - Intensive: 76 dB(A) re 1 pW

In accordance with the EU-Regulation No 65/2014

**Series 4, Wall-mounted cooker hood,  
75 cm, Stainless steel  
DWB77IM50**

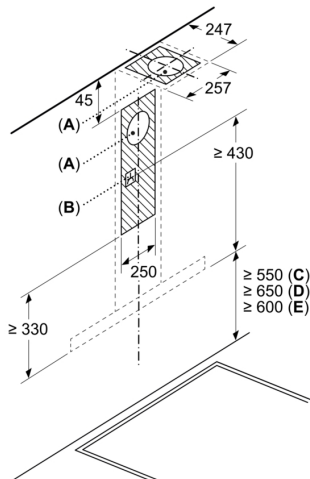


Measurements in mm



- A: Electric
- B: Gas - from upper edge of pan support
- C: Electric - for Australia and New Zealand

Measurements in mm



- A: Exhaust air outlet
- B: Socket
- C: Electric
- D: Gas - from upper edge of pan support
- E: Electric - for Australia and New Zealand

