

**Series 6, Wall-mounted cooker hood,
70 cm, Stainless steel
DWB77CM50**



DHZ1225	Chimney extension 1000 mm
DHZ1235	Chimney extension 1500 mm
DWZ0XX0J5	Long Life recirculation kit
DWZ1CB114	Clean Air Standard recirculation kit
DWZ1CX116	Clean Air Plus recirculation kit
DWZ1FX5C6	Clean Air Plus recirc. kit external
DWZ1FX5D1	Long Life recirculation kit external
DZZ0XX0P0	Long Life odor filter (replacement)
DZZ1CX1B4	Clean Air Standard odor filter (repl.)
DZZ1XX1B6	Clean Air Plus odor filter (replacement)

**The wall-mounted chimney hood: mount it
on the wall, giving you complete freedom
in your kitchen planning.**

- **TouchSelect control:** Quickly select hood settings via touch.
- **Especially silent:** maximal extractor performance with minimal noise
- **EcoSilence Drive:** the powerful, energy-saving drive for hoods.
- **Easy-to-clean interior:** hidden screws and cables along with rounded edges make cleaning easy.

Typology:Wall-mounted
 Length electrical supply cord: 130.0 cm
 Height of the chimney: 582-908/568-1018 mm
 Height of product, without chimney: 46 mm
 Net weight: 14.4 kg
 Type of control:Electronic
 Number of speed settings: 3-stages + intensive setting
 Max. air extraction: 414 m³/h
 Boost position output recirculating: 409 m³/h
 Max. air recirculation: 330 m³/h
 Boost position air extraction: 671 m³/h
 Number of lights: 2
 Noise level: 60 dB(A) re 1 pW
 Diameter of air outlet: 120 / 150 mm
 Grease filter material:Washable aluminium
 Odour filter: No
 Operating Mode:Exhaust / Recirculation (Accessory available separately)
 Optional accessories: DHZ1225, DHZ1235, DWZ0XX0J5, DWZ1CB114, DWZ1CX116, DWZ1FX5C6, DWZ1FX5D1, DZZ0XX0P0, DZZ1CX1B4, DZZ1XX1B6
 Type of lamps used: LED
 Grease filter type:Kassette
 Clean filter reminders:No
 Connection rating: 143 W
 Fuse protection:10 A
 Voltage: 220-240 V
 Frequency: 50; 60 Hz
 Plug type: Gardy plug w/ earthing
 Installation typology:Wall-mounted
 Material body: Stainless steel
 Plug type: Gardy plug w/ earthing
 Dimensions of the product, with chimney (if exists) (in):x x
 Dimensions of the packed product: 23.03 x 25.59 x 38.18
 Net weight:32.000 lbs
 Gross weight: 47.000 lbs
 Motor location: Integrated motor in hood chimney
 No-return airflow flap: Yes
 Length electrical supply cord: 130.0 cm
 Dimensions of the product, with chimney (if exists): 614-1064 x 698.0 x 500.0 mm
 Dimensions of the packed product (HxWxD): 585 x 650 x 970 mm
 Net weight: 14.4 kg
 Gross weight: 21.3 kg



Series 6, Wall-mounted cooker hood, 70 cm, Stainless steel DWB77CM50

The wall-mounted chimney hood: mount it on the wall, giving you complete freedom in your kitchen planning.

- With the Clean Air Plus recirculation kit (available as optional accessory) your appliances reaches:
- Extraction rate in recirculation mode: Max. normal use:330m³/h
- Intensive:409m³/h
- Noise level in recirculation mode: Max. normal use:67dB(A) re 1 pW
- Intensive:71 dB(A) re 1 pW

In accordance with the EU-Regulation No 65/2014

Performance

- 3 speeds plus intensive setting via TouchControl
- Extraction rate according to EN 61591 ø 15 cm: max. Normal use 415 m³/h Intensive 671 m³/h
- Noise level according to EN 60704-2-13 exhaust air: Max. normal use: 60 dB(A) re 1 pW Intensive: 70 dB(A) re 1 pW

Design

- Wall Hood Brushed steel
- TouchControl with Electronic display

Comfort

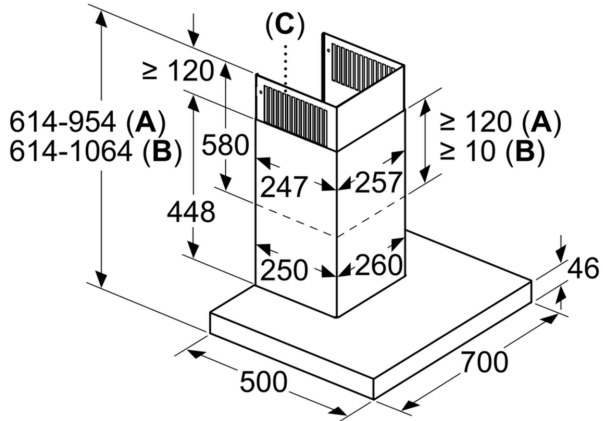
- Automatic revert setting, 6 minutes
- Efficient BLDC-technology
- 2 x 1,5 W LED
- Colour Temperature: 3500 K
- Cassette with alu frame
- Metal grease filter, dishwasher safe
- Energy Efficiency Class: A (at a range of energy efficiency classes from A+++ to D)

Technical information

- Dimensions exhaust air (HxWxD): 614-954 x 698 x 500 mm
- Dimensions recirculating (HxWxD): 614-1064 x 698 x 500 mm
- Suitable for ducted or re-circulated extraction
- Diameter pipe ø 150 mm (ø 120 mm enclosed)
- Yes
- Power rating: 143 W
- Electrical cable length 1.3 m m
- Voltage: 220 - 240 V V
- Electronic controls via TouchControl with Electronic display
- TouchControl (3 speeds plus intensive setting) with Electronic display
- 3 speeds plus intensive setting
- easy to clean innerframe
- Light Intensity: 267 lux
- Extraction rate exhaust air according to EN 61591 max. 671 m³/h
- Extraction rate according to EN 61591 ø 15 cm: max. Normal use 415 m³/h Intensive 671 m³/h
- Extraction rate exhaust air according to EN 61591:
- max. normal use415 m³/h, intensive 671 m³/h
- Dimensions recirculating with CleanAir Plus recirculation kit (HxWxD):
- 689 x 698 x 500mm - mounting with outer chimney
- 795-1139 x 698 x 500 mm - mounting with telescopic chimney
- Noise level according to EN 60704-2-13 at max. normal use exhaust air: 64 dB(A) re 1 pW dB(A) re 1 pW
- with one-way flap
- Max. extraction rate: 671 m³/h

**Series 6, Wall-mounted cooker hood,
70 cm, Stainless steel
DWB77CM50**

measurements in mm



- A:** Air extraction
- B:** Air recirculation
- C:** Air outlet – slots for exhaust air to be mounted facing down

