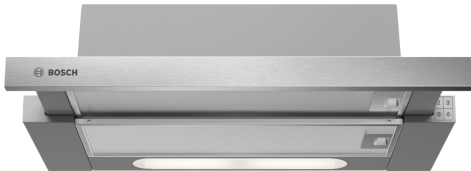


**Series 4, Telescopic cooker hood, 60 cm, Stainless steel
DHI623GSG**



DHZ2600 Standard odor filter

The telescopic cooker hood: practically disappears into your upper cabinet, giving you a sleek kitchen front.

- 3-Speed Power Level Options To Suit Your Cooking Style And Recipes
- Dishwasher safe aluminum mesh filters
- Ducted or Non-ducted Options

Typology: Pull-out
 Length electrical supply cord: 200.0 cm
 Required niche size for installation (HxWxD): ... 140mm x 550.0mm x 280mm mm
 Net weight: 6.4 kg
 Type of control: mechanical
 Number of speed settings: 3
 Max. air extraction: 380 m³/h
 Max. air recirculation: 200 m³/h
 Number of lights: 2
 Diameter of air outlet: 120 mm
 Grease filter material: Washable aluminium
 Odour filter: No
 Operating Mode: Exhaust / Recirculation (Accessory available separately)
 Optional accessories: DHZ2600
 Type of lamps used: LED
 Total power of the lamps: 6 W
 Grease filter type: Kasette
 Clean filter reminders: No
 Connection rating: 136 W
 Fuse protection: 10 A
 Voltage: 220-240 V
 Frequency: 50 Hz
 Plug type: GB plug
 Installation typology: Built-in
 Material body: Lacquered
 Plug type: GB plug
 Dimensions of the product, with chimney (if exists) (in): x x
 Dimensions of the packed product: 9.44 x 13.77 x 25.59
 Net weight: 14.000 lbs
 Gross weight: 17.000 lbs
 Motor location: Integrated motor in hood body
 No-return airflow flap: No
 Length electrical supply cord: 200.0 cm
 Dimensions of the product, with chimney (if exists): 180 x 598.0 x 300.0 mm
 Dimensions of the packed product (HxWxD): 240 x 350 x 650 mm
 Net weight: 6.4 kg
 Gross weight: 7.7 kg



Series 4, Telescopic cooker hood, 60 cm, Stainless steel DHI623GSG

The telescopic cooker hood: practically disappears into your upper cabinet, giving you a sleek kitchen front.

Performance

- Extraction rate and LED light
- Extraction rate exhaust air according to EN 61591: max. 380 m³/h
- 3 speeds

Design

- Telescopic Hood Brushed steel
- Push buttons

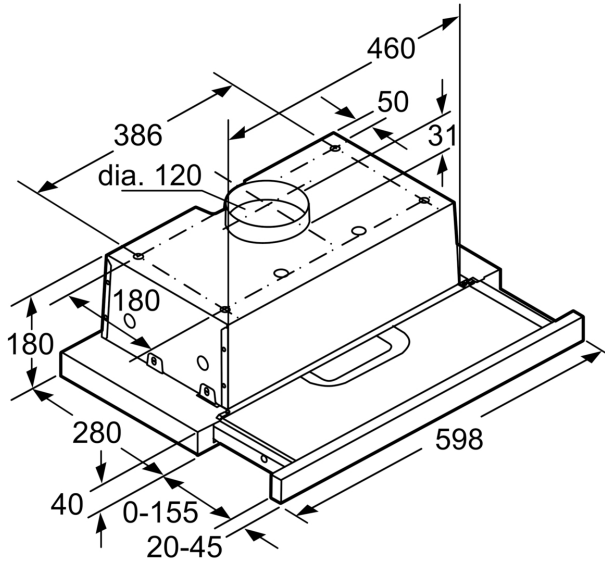
Comfort

- 2 x LED spot 3W
- Metal grease fliter, dishwasher safe
- Energy Efficiency Class: D (at a range of energy efficiency classes from A+++ to D)

Technical information

- For installation in a special wall cupboard (90cm)
- Suitable for ducted or re-circulated extraction
- Dimensions (HxWxD): 180 x 898 x 300 mm
- Built-in dimensions (HxWxD): 140 x 850 x 280 mm
- Power rating: 136 W
- Length of mains cable: 200 cm
- Plug type: GB plug

**Series 4, Telescopic cooker hood, 60
cm, Stainless steel
DHI623GSG**



measurements in mm