

## Series 8, Built-In Fully Automatic Coffee Machine, Stainless steel CTL636ES6



- **AromaDouble Shot:** Extra-strong coffee with less bitterness thanks to two grinding and brewing processes
- **Home Connect:** Discover smart home appliances that make everyday life easier.
- **OneTouch DoubleCup:** Your choice of espresso or milk drinks with a click – even two cups at once.
- **OneTouch Function:** All espresso drinks at the touch of a button – whether espresso or cappuccino.
- **Control the coffee machine with Amazon Alexa thanks to Voice Control**

1 x assembly screws, 1 x scoop, 1 x test strip, 1 x milk container (insulated), 1 x connection hose for milk frother, 1 x milk pipe

TCZ7003	water filter
TCZ8001A	10 Cleaning Tablets for Coffee Machine
TCZ8002A	3 Descaling Tablets for Coffee Machine
TCZ8004A	Care set Coffee Machine
TCZ8009N	insulated milk container
Y988081012 :	
Y988081300 :	
Y988081302 :	
Y988081303 :	

Built-in / Free-standing: ..... Built-in  
 Frothing nozzle: ..... No  
 Display: ..... Yes  
 Water protection system: ..... no  
 Portion sizes: ..... All cups  
 Dimensions: ..... 455x594x375 mm  
 Dimensions of the packed product (HxWxD): ..... 540x478x670 mm  
 Required niche size for installation (HxWxD): ..... 449x558x356 mm  
 Hot water spout: ..... No  
 Standby function: ..... Yes  
 Simultaneous preparation of 2 cups: ..... Yes  
 Included accessories: 1 x assembly screws, 1 x scoop, 1 x test strip, 1 x milk container (insulated), 1 x connection hose for milk frother, 1 x milk pipe  
 Optional accessories: .... TCZ7003, TCZ8001A, TCZ8002A, TCZ8004A, TCZ8009N, Y988081012, Y988081300, Y988081302, Y988081303  
 Fuse protection: ..... 10 A  
 Voltage: ..... 220-240 V  
 Frequency: ..... 50/60 Hz  
 Plug type: ..... GARDY plug w/ earthing  
 Product group: ..... Built-in coffee machines  
 Product name/family: ..... Built-in coffee machines  
 Product name / Commercial code: ..... CTL636ES6  
 Typology: ..... Fully automatic  
 Length electrical supply cord: ..... 170 cm  
 Maximum height for installation: ..... 449 mm  
 Dimensions: ..... 455x594x375 mm  
 Dimensions of the packed product (HxWxD): ..... 540x478x670 mm  
 Net weight: ..... 43.000 lbs  
 Net weight: ..... 19.7 kg  
 Gross weight: ..... 49.000 lbs  
 Gross weight: ..... 22.3 kg  
 Capacity water container: ..... 2.4 l



## **Series 8, Built-In Fully Automatic Coffee Machine, Stainless steel CTL636ES6**

descaling tablets (TCZ8002), BRITA Intenza water filter (TCZ7003), care set for fully-automatic espresso makers (TCZ8004), insulated milk container (TCZ8009N)

### **Flavour**

- One-touch preparation: Ristretto, Espresso, Espresso macchiato, Coffee, Cappuccino, Latte macchiato, Caffé Latte at the touch of a button
- yes: Extra-strong coffee with less bitterness thanks to two grinding and brewing processes
- optional Brita Intenza water filter: Reduces the lime content of water and filters substances affecting smell and taste

### **Convenience**

- 20-250 ml
- Coffee outlet height-adjustable: Up to 15 cm (max) high Latte Macchiato glasses fit underneath
- Get two cups of any coffee or milk speciality at the touch of a button with oneTouch DoubleCup.
- Water tank removable for easy refilling (2.4 l volume)
- Flexible milk solution: Decide for yourself if you prefer connecting the yes milk container or using any other container, e.g. a milk carton
- Short user manual always at hand inside appliance

### **Performance**

- All coffee and milk beverages are prepared at the touch of a button with the oneTouch Function.
- In addition to beverages also available separately: milk foam, warm milk, hot water
- Reduced heat-up time: Fast first cup
- Water pump with 19 bar pressure
- Separate chute for ground coffee, e.g. caffeine-free coffee

### **Home Connect**

- Security: Security is of top priority at Home Connect. The Home Connect app has been tested and certified by TÜV IT. And the encrypted data transfer via Home Connect protocol protects against unauthorised access.

### **Hygiene**

- Removable brewing unit: Easy and hygienic cleaning under running water
- Automatic steam cleaning after every drink with autoMilk Clean.
- Milk frother removable and dishwasher-proof
- Automatic rinsing program when switch-off, switch-on
- Drip tray and coffee grounds container removable and dishwasher-proof
- yes: Automatic cleaning and descaling programme

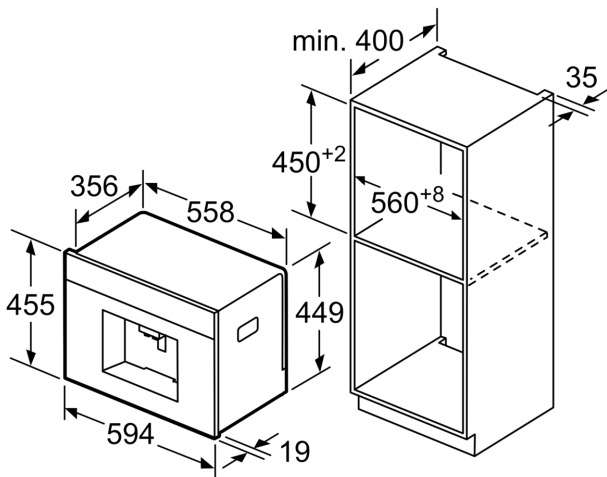
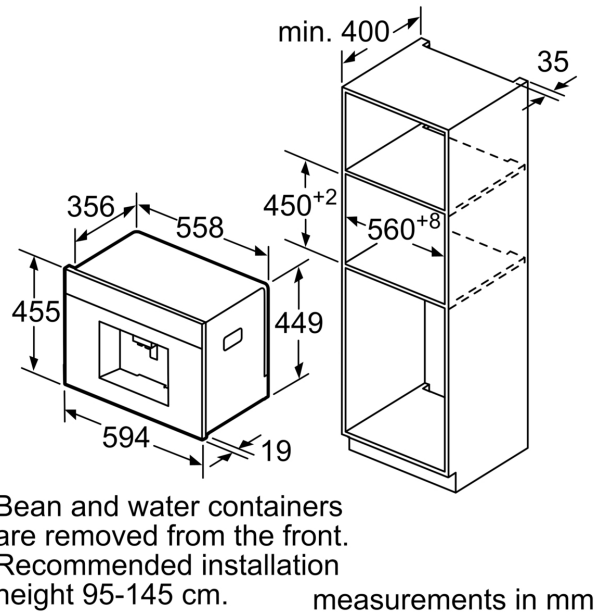
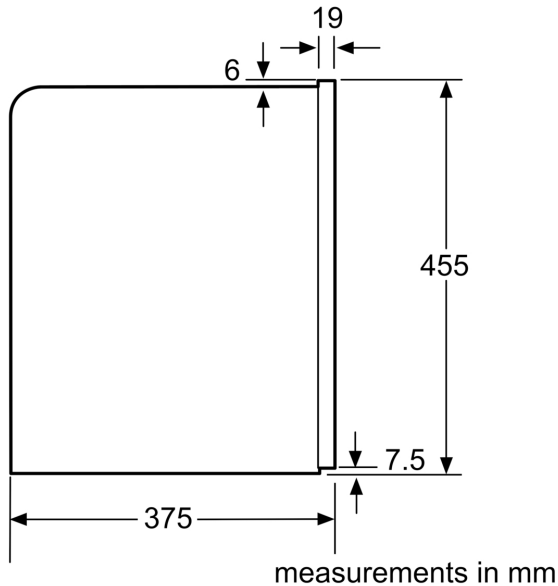
### **Miscellaneous**

- Bean container with aroma protection lid (500 g volume)
- Grinding fineness adjustable (multi-level)
- Display language selectable
- Child safety lock: Unintended brewing process not possible
- Wattage: 1600 W

### **Accessories**

- with insulationmilk container with fresh lock-lid (0.5 l volume)
- Further included accessories: scoop, connection hose for milk frother, test strip, assembly screws
- Separately available accessories: cleaning tablets (TCZ8001),

**Series 8, Built-In Fully Automatic  
Coffee Machine, Stainless steel  
CTL636ES6**



left corner installation

