

**Series 8, Built-in steamer, 60 x 45 cm, Stainless steel CDG634AS0**



punched, 1 x steam container, unpunched, size L, 1 x sponge

- HEZG9AS00S Adapter
- HEZ660050 Cover Strip
- HEZ660060 Strip
- HEZ915003 Glass roasting dish, 5,4 L
- HEZG0AS00 Connecting cable 3m

**The steamer: prepare foods especially gently, retaining the aroma and vitamins.**

- **Steam function:** for gentle, healthy food preparation.
- **AutoPilot 20:** every dish is a perfect success thanks to 20 pre-set automatic programmes.
- **TFT Touch Display:** easy-to-use thanks to the Control Ring with clear text and symbols.
- **Flap door with SoftOpen and SoftClose:** the oven door opens and closes especially gently and quietly.

---

Built-in / Free-standing: ..... Built-in  
 Min. required niche size for installation (HxWxD): 450-455 x 560-568 x 550 mm  
 Dimensions: ..... 455 x 594 x 548 mm  
 Dimensions of the packed product (HxWxD): ..... 520 x 650 x 710 mm  
 Control Panel Material: ..... Stainless steel  
 Door Material: ..... Glass  
 Net weight: ..... 21.6 kg  
 Length electrical supply cord: ..... 150.0 cm  
 Connection rating: ..... 1750 W  
 Fuse protection: ..... 10 A  
 Voltage: ..... 220-240 V  
 Frequency: ..... 50; 60 Hz  
 Plug type: ..... GARDY plug w/ earthing  
 Included accessories: ..... 1 x steam container, punched, size L, 1 x steam container, unpunched, size L, 1 x sponge



## **Series 8, Built-in steamer, 60 x 45 cm, Stainless steel CDG634AS0**

**The steamer: prepare foods especially gently, retaining the aroma and vitamins.**

---

### **Type of oven / heating system:**

- Compact steamer with these heating methods: Steam, Regeneration with steam, Fermentation with steam, Defrost with steam
- Temperature range 30 °C °C - 100 °C °C
- Cavity volume: 38 l l

### **Design**

- 2,5"-TFT-color and text display with touch-control buttons
- Control Ring
- Cavity inner surface: Stainless steel
- Bar handle

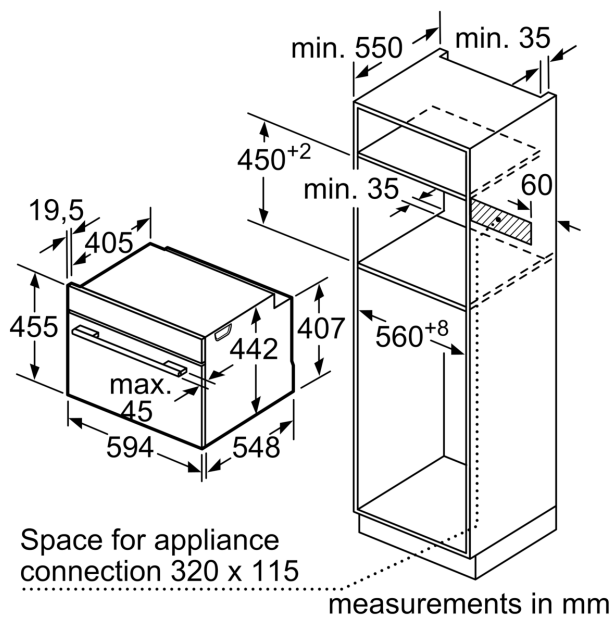
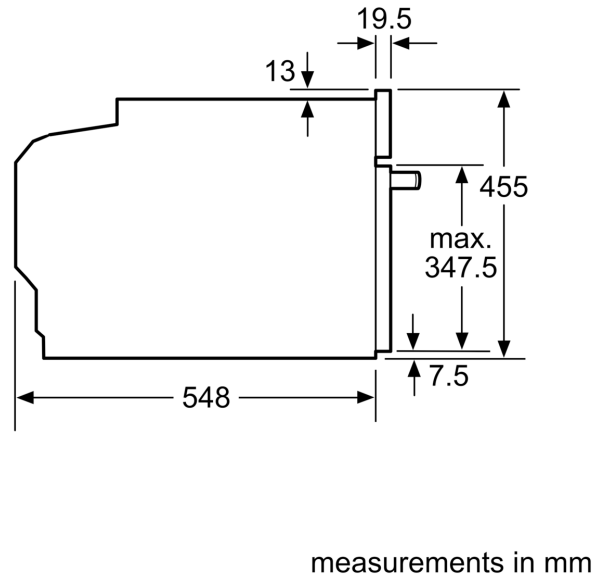
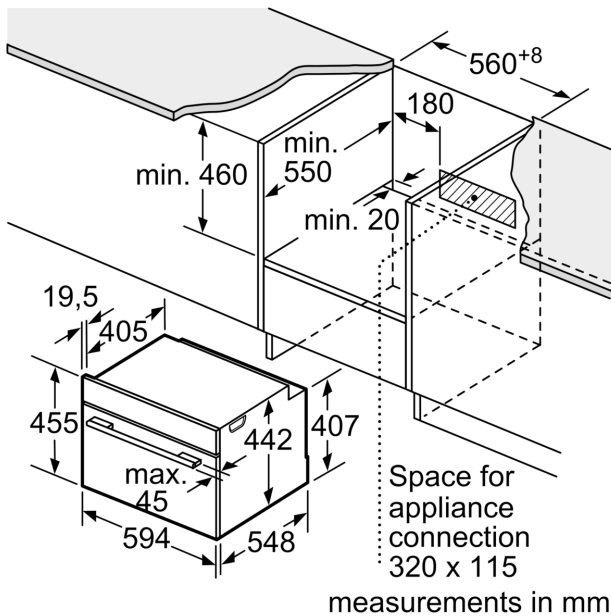
### **Comfort**

- Full glass inner door
- Electronic clock
- Temperature proposal, Actual temperature display, Heating-up control
- AutoPilot 20
- Oven door with SoftOpen and SoftClose, Drop down door
- Supporting systems: Programs
- Interior lighting, Switch for oven illumination
- Water tank with Tank capacity: 1.3 l l
- Water tank empty indication
- Location of steam generator is inside of the cavity
- Integral cooling fan
- low door temperature
- Child lock Automatic switch off Residual heat indicator Start-/Stop button Door contact switch
- steam container, punched, size L, steam container, unpunched, size L, sponge

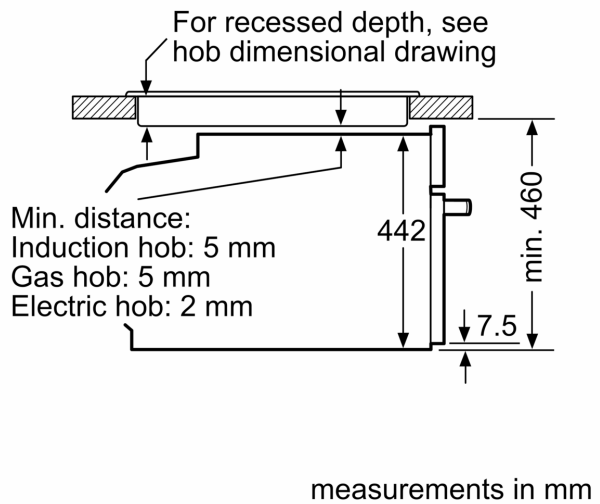
### **Technical Information**

- Appliance dimension (hxwxd): 455 mm x 594 mm x 548 mm
- Niche dimension (hxwxd): 450 mm - 455 mm x 560 mm - 568 mm x 550 mm
- Length of mains cable: 150 cm
- Nominal voltage: 220 - 240 V
- Total connected load electric: 1.75 KW
- "Please reference the built-in dimensions provided in the installation drawing"

**Series 8, Built-in steamer, 60 x 45 cm, Stainless steel  
CDG634AS0**



Installation with a hob.



If the compact appliance will be installed underneath a hob, the following worktop thicknesses (including substructure if necessary) must be taken into account.

<b>Hob type</b>	<b>min. worktop thickness</b>	
	fitted	flush
Induction hob	42 mm	43 mm
Full surface Induction hob	52 mm	53 mm
Gas hob	32 mm	43 mm
Electric hob	32 mm	35 mm