

**Series 4, Built-In Microwave,  
Stainless steel  
BEL520MS0K**



1 x grid, 1 x Turntable

HEZ86D000 Steamer Cooker Accessory for Microwave

- **Stainless steel interior:** easy to clean interior thanks to smooth surfaces and no sharp edges.
- **Cleaning Assistance:** less cleaning effort thanks to the new cleaning option, which can be especially used for cleaning of light soiling.
- **The side-opening hinged door:** easy access to the cavity - no matter on which height the microwave is placed.

Additional function: .....Grill function  
 Type of control: ..... mechanical  
 Dimensions: ..... 382x594x317 mm  
 Cavity dimensions: ..... 201.0 x 308.0 x 282.0 mm  
 Length electrical supply cord: ..... 130.0 cm  
 Net weight: ..... 16.0 kg  
 Gross weight: ..... 18.3 kg  
 Max. microwave power level: ..... 800 W  
 Number of Power Levels: ..... 5  
 Turntable: ..... Yes  
 Cavity material: ..... Stainless steel  
 Door opening: ..... Button  
 Clock: ..... No  
 Included accessories: ..... 1 x grid, 1 x Turntable  
 Height of the appliance: ..... 382 mm  
 Width of the appliance: ..... 594 mm  
 Depth of the product: ..... 317 mm  
 Max. microwave power level: ..... 800 W  
 Connection rating: ..... 1270 W  
 Fuse protection: ..... 10 A  
 Voltage: ..... 230-240 V  
 Frequency: ..... 50 Hz  
 Plug type: ..... GB plug  
 Required cutout/niche size for installation (in): ..... x  
 Dimensions of the packed product: ..... 17.32 x 14.17 x 25.19  
 Net weight: ..... 35.000 lbs  
 Gross weight: ..... 40.000 lbs



## Series 4, Built-In Microwave, Stainless steel BEL520MS0K

---

- The built-in microwave for the 38 cm niche: use it for thawing, heating and faster preparation of foods.

### **Microwave and heating mode:**

- Max. Power: 800 W; 5 Microwave power settings: 90 W, 180 W, 360 W, 600 W, 800 W
- Grill 1 KW
- Grill and microwave power levels 180 W, 360 W combinable
- Microwave and grill for separate use
- Cavity volume: 20 l

### **Design**

- User-friendly electronics: extremely easy and comfortable operation
- Stainless steel cavity
- side opening door, hinge left
- Rotary Control

### **Comfort**

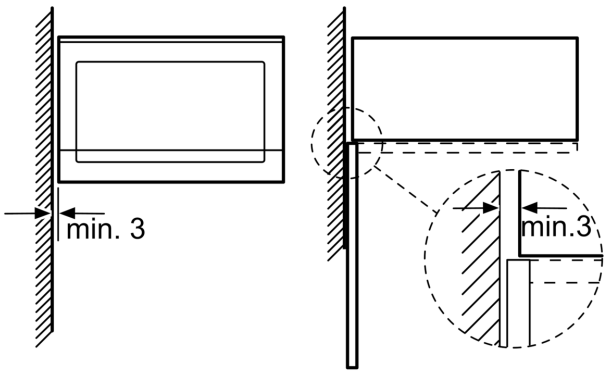
- Interior lighting
- 25.5 cm glass turntable
- Open door button
- Automatic switch off Door contact switch
- Integral cooling fan
- grid, Turntable

### **Technical Information**

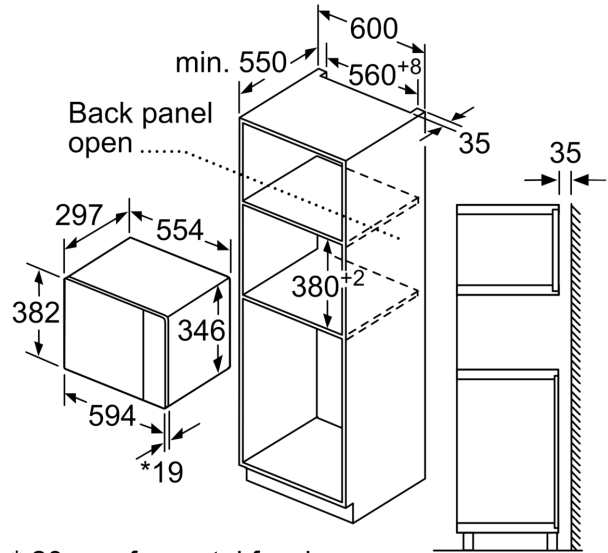
- Appliance dimension (hxwxd): 382 mm x 594 mm x 317 mm
- Niche dimension (hxwxd): 362 mm - 365 mm x 560 mm - 568 mm x 300 mm
- Suitable for high cupboard installation, Can be built in a 60 cm wall cupboard (at least 30cm deep)
- Length of mains cable: 130 cm
- Total connected load electric: 1.27 KW
- Nominal voltage: 230 - 240 V
- "Please reference the built-in dimensions provided in the installation drawing"

**Series 4, Built-In Microwave,  
Stainless steel  
BEL520MS0K**

Microwave,  
corner installation



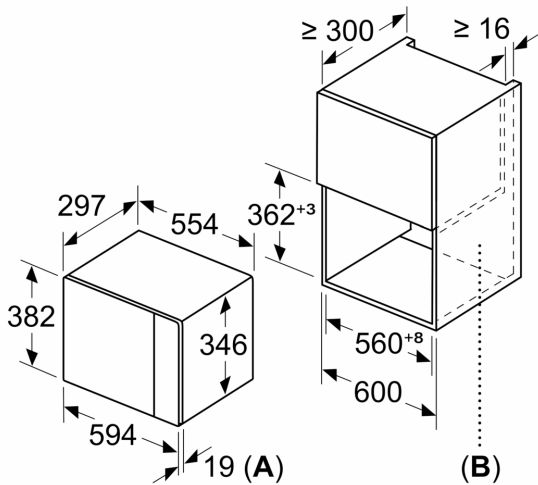
Measurements in mm



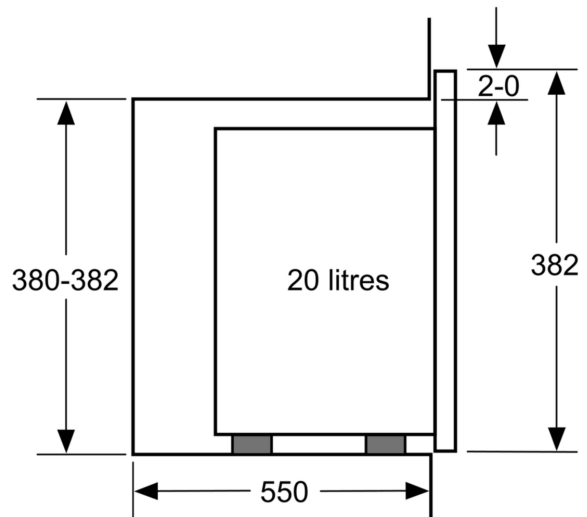
\* 20 mm for metal fascia

measurements in mm

Measurements in mm



**A:** 20 mm for metal fascia  
**B:** Back panel open



measurements in mm

