

## Dishwasher, 24", Stainless steel SHX9PT55UC



## Expandable wings on our flexible 3rd rack provide extra height to fit ramekins, measuring cups and extra-large utensils.

- **PrecisionWash®**: uses Intelligent sensors to monitor the wash water and automatically adjust the cycle for a smarter clean.
- **10 years warranty**: our promise against rust-through.
- **24h Delay Start Timer** lets you run your dishwasher at off-peak times.

---

|  |                     |
|--|---------------------|
| Number of Options: .....               | 5                   |
| Number of options: .....               | 6                   |
| 3rd rack: .....                        | Flexible 3rd Rack   |
| Tub Material: .....                    | Stainless Steel     |
| Concealed heating element: .....       | Yes                 |
| Leak protection system: .....          | 24/7 Aqua Stop Plus |
| Five-level wash: .....                 | Yes                 |
| Water Softener: .....                  | Yes                 |
| ChildLock: .....                       | No                  |
| Total Annual Energy Consumption: ..... | 239 kWh             |
| Energy Efficiency Class: .....         | Tier 1              |
| ENERGY STAR®: .....                    | Yes                 |
| Total Annual Water Consumption: .....  | 624 gal             |
| Number of Place Settings: .....        | 15                  |

---



- 
- SGZ1010UC Drain hose extension kit
  - SGZ9091UC finish salt for dishwashers
  - SMZ5000 Dishwashing aid set
  - SMZ5002UC Silverware box
  - SMZPC002UC Powercord with cold plug

## Dishwasher, 24", Stainless steel SHX9PT55UC

**Expandable wings on our flexible 3rd rack provide extra height to fit ramekins, measuring cups and extra-large utensils.**

---

### Key Features

- 39 dBA- Quietest Dishwasher Brand.
- Flexible 3rd Rack with Adjustable Separators Provides Additional Loading Capacity
- Made in Germany
- SteelTouch™ Control Panel
- White Light Illuminates the Interior when the Dishwasher is Open

### Design

- 15 Place Setting Capacity
- Red Remaining Time Display
- RackMatic® on Upper Rack - 3 Height Adjustments and Up to 9 Possible Rack Positions
- Alternating Tines Fold Down to Accommodate Larger Cookware
- Extra Tall Item Sprinkler Cleans Items 22" Tall

### Performance

- 6 Programs and 5 Options
- Detergent Tray Optimizes Detergent Dissolving
- Load Size Sensor Automates Wash Temperature
- Water Softener Ensures Perfect Shine
- Sanitize Option Eliminates Bacteria and Enhances Drying Results

### Efficiency

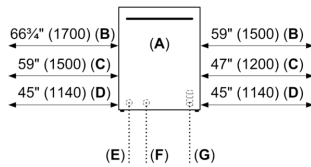
- 239 kWh/yr - Energy Star®
- Half Load Option for Small Loads

### Convenience

- InfoLight® Beams on Floor to Indicate Dishwasher is Running
- 24 h Delay Start Timer
- AquaStop® 4-Part Leak Protection Works 24/7 AquaStop® Leak Protection Works 24/7 to Detect and Contain Leaks
- Self-Latching Door
- Express Wash - In 30 Minutes or Less
- SpeedPerfect™ Option Reduces Cycle Time while Maintaining Cleaning Performance
- Glass Care Cycle for Fine Glassware

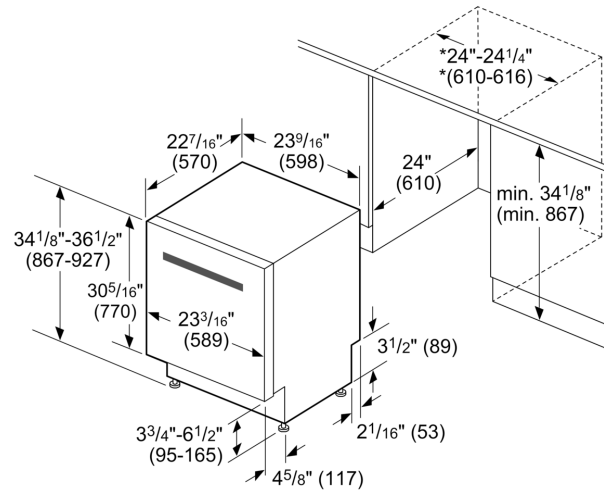
## Dishwasher, 24", Stainless steel SHX9PT55UC

Measurements in inches (mm)



All connections are located on the rear of the appliance.  
Extension for drain hose available as accessory.  
Junction Box for hard wired connection available as accessory.

- A: Front view
- B: Drain hose
- C: Water inlet hose
- D: Electrical Power Cord: length shown according to Installation Instructions
- E: Inlet
- F: Drain
- G: Power



\*23 $\frac{5}{8}$ " (600) without decor strips

measurements in inches (mm)