

Dishwasher, 24", Stainless steel SHX98M09UC



- 42 dBA- Quietest Dishwasher Brand.
- Saves up to 290 gallons of water each year
- Red Colored Full Text Display
- Load Size Sensor Automates Wash Temperature
- Rinse Cycle- Instead of PreRinsing

Number of Options:	2
Number of options:	9
3rd rack:	None
Tub Material:	Stainless Steel
Concealed heating element:	Yes
Leak protection system:	Aqua Stop
Five-level wash:	Yes
Water Softener:	No
ChildLock:	No
Total Annual Energy Consumption:	190 kWh
ENERGY STAR®:	Yes
Number of Place Settings:	14



4 242002 426747

SGZ3003	Silver polishing cassette
SGZPC001UC	Powercord kit
SGZ1000UC	extra large knife rack
SGZ1010UC	Drain hose extension kit
SGZ1051	Vase, bottle holder
SGZ2004UC	glass rack insert for bottom rack

Dishwasher, 24", Stainless steel SHX98M09UC

Key Features

- 42 dBA- Quietest Dishwasher Brand.
- Saves up to 290 gallons of water each year
- Red Colored Full Text Display
- Load Size Sensor Automates Wash Temperature
- Rinse Cycle- Instead of PreRinsing

Design

- Stainless Steel TallTub
- Real Stainless Steel Fascia Panel

Performance

- 4 Wash Cycles and 2 Options
- Sanitize Option eliminates bacteria and enhances drying results
- Variable Spray Pressure

Efficiency

- 190 kWh/yr - Energy Star®
- Exceeds ENERGY STAR Requirements for Water by 72%
- EcoSense™ Reduces Energy Usage by up to 20%

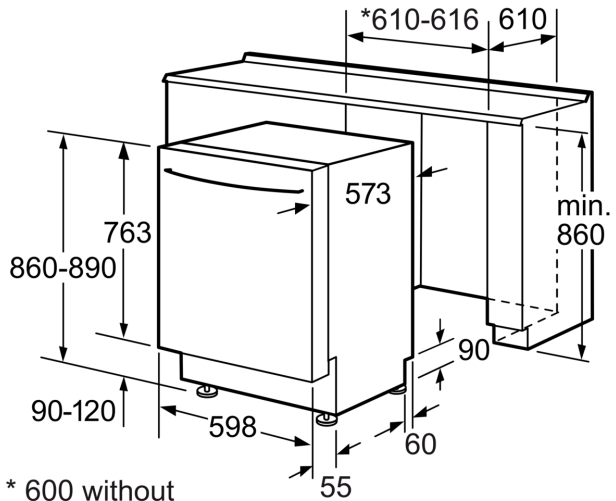
Convenience

- AquaStop® Leak Protection
- Multi-Function LED with Remaining Time
- 24 h Delay Start Timer
- Express Wash - In 30 Minutes or Less
- Glass Care Cycle for Fine Glassware

Capacity

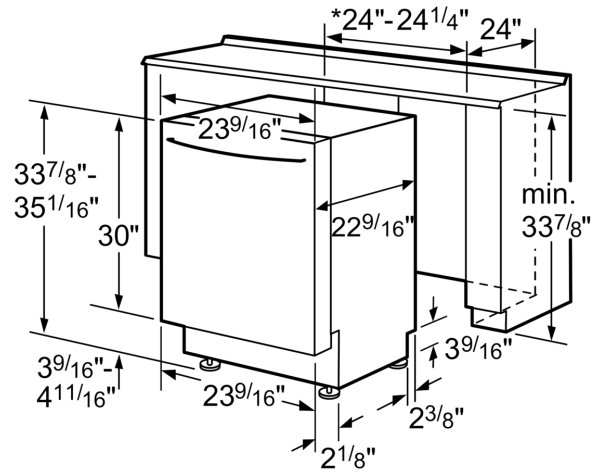
- 14 Place Setting Capacity
- 800 Series Racks
- RackMatic® Automatically Adjustable Upper Rack
- Flexible Silverware Basket
- Extra Tall Item Sprinkler Cleans Items 22" Tall

**Dishwasher, 24", Stainless steel
SHX98M09UC**



* 600 without decorative strips

Measurements in mm



* 23⁵/₈" without decorative strip

measurements in inches