

Dishwasher, 24", Stainless steel SHX8PT55UC



Expandable wings on our flexible 3rd rack provide extra height to fit ramekins, measuring cups and extra-large utensils.

- **40 dBA- Quietest Dishwasher Brand.**
- **Flexible 3rd Rack with Adjustable Separators Provides Additional Loading Capacity**
- **SteelTouch™ Control Panel**
- **White Light Illuminates the Interior when the Dishwasher is Open**
- **Water Softener Ensures Perfect Shine**

Number of Options:	5
Number of options:	6
3rd Rack:	Flexible 3rd Rack
Tub Material:	Stainless Steel
Concealed heating element:	Yes
Five-level wash:	Yes
Water Softener:	Yes
ChildLock:	No
Total Annual Energy Consumption:	259 kWh
Energy Efficiency Class:	Tier 1
ENERGY STAR®:	Yes
Total Annual Water Consumption:	624 gal
Number of Place Settings:	15



-
- SGZ1010UC Drain hose extension kit
 - SGZ9091UC finish salt for dishwashers
 - SMZ5000 Dishwashing aid set
 - SMZ5002UC Silverware box
 - SMZPC002UC Powercord with cold plug

Dishwasher, 24", Stainless steel SHX8PT55UC

Expandable wings on our flexible 3rd rack provide extra height to fit ramekins, measuring cups and extra-large utensils.

Key Features

- 40 dBA- Quietest Dishwasher Brand.
- Flexible 3rd Rack with Adjustable Separators Provides Additional Loading Capacity
- SteelTouch™ Control Panel
- White Light Illuminates the Interior when the Dishwasher is Open
- Water Softener Ensures Perfect Shine

Design

- Full Size Stainless Steel Tall Tub Installs Perfectly Flush
- 16 Place Setting Capacity
- LED Remaining Time Display
- RackMatic® on Upper Rack - 3 Height Adjustments and Up to 9 Possible Rack Positions
- Flexible Silverware Basket Can be Split into Two Pieces and Placed Anywhere for Added Flexibility
- Extra Tall Item Sprinkler Cleans Items 22" Tall

Performance

- 6 Programs and 5 Options
- Detergent Tray Optimizes Detergent Dissolving
- Load Size Sensor Automates Wash Temperature
- Sanitize Option Eliminates Bacteria and Enhances Drying Results

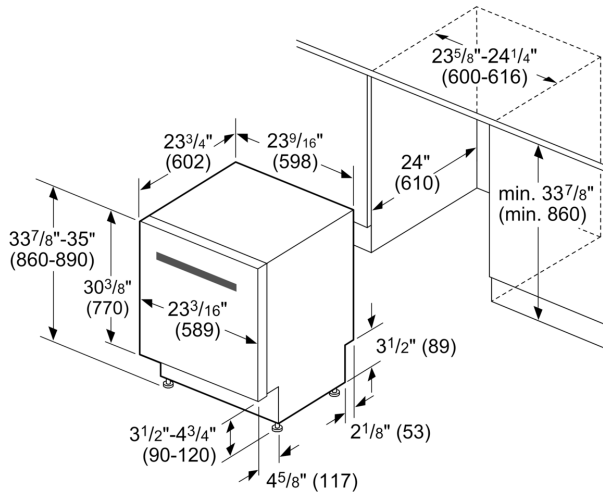
Efficiency

- 259 kWh/yr - Energy Star®
- Half Load Option for Small Loads

Convenience

- InfoLight® Beams on Floor to Indicate Dishwasher is Running
- 24 h Delay Start Timer
- AquaStop® Leak Protection Works 24/7
- Self-Latching Door
- Express Wash - In 30 Minutes or Less
- SpeedPerfect™ Option Reduces Cycle Time while Maintaining Cleaning Performance

Dishwasher, 24", Stainless steel SHX8PT55UC



measurements in inches (mm)