

## Dishwasher, 24", Stainless steel SHX68TL5UC



### The 3rd rack offers 30% more loading area. Perfect for ramekins, cooking utensils and extra-long silverware.

- **PrecisionWash®:** uses Intelligent sensors to monitor the wash water and automatically adjust the cycle for a smarter clean.
- **10 years warranty:** our promise against rust-through.
- **24h Delay Start Timer** lets you run your dishwasher at off-peak times.
- **Standard 3rd Rack:** provides a convenient top rack for your utensils, giving the other racks more space for dishes.

---

Number of Options: .....	6
Number of options: .....	6
3rd Rack: .....	Standard 3rd Rack
Tub Material: .....	Stainless Steel
Concealed heating element: .....	Yes
Five-level wash: .....	Yes
Water Softener: .....	No
ChildLock: .....	No
Total Annual Energy Consumption: .....	259 kWh
Energy Efficiency Class: .....	Tier 1
ENERGY STAR®: .....	Yes
Total Annual Water Consumption: .....	624 gal
Number of Place Settings: .....	15

---




---

SGZ1010UC Drain hose extension kit  
 SMZ5000 Dishwashing aid set  
 SMZPC002UC Powercord with cold plug

## Dishwasher, 24", Stainless steel SHX68TL5UC

**The 3rd rack offers 30% more loading area. Perfect for ramekins, cooking utensils and extra-long silverware.**

---

### Key Features

- 44 dBA- Quietest Dishwasher Brand.
- 3rd Rack for Additional Loading Capacity
- Touch Control Technology
- RackMatic® on Upper Rack - 3 Height Adjustments and Up to 9 Possible Rack Positions
- AquaStop® Leak Protection Works 24/7

### Design

- Full Size Stainless Steel Tall Tub Installs Perfectly Flush
- 16 Place Setting Capacity
- LED Remaining Time Display
- Flexible Silverware Basket Can be Split into Two Pieces and Placed Anywhere for Added Flexibility
- Extra Tall Item Sprinkler Cleans Items 22" Tall

### Performance

- 6 Programs and 6 options
- Detergent Tray Optimizes Detergent Dissolving
- Load Size Sensor Automates Wash Temperature
- Sanitize Option Eliminates Bacteria and Enhances Drying Results

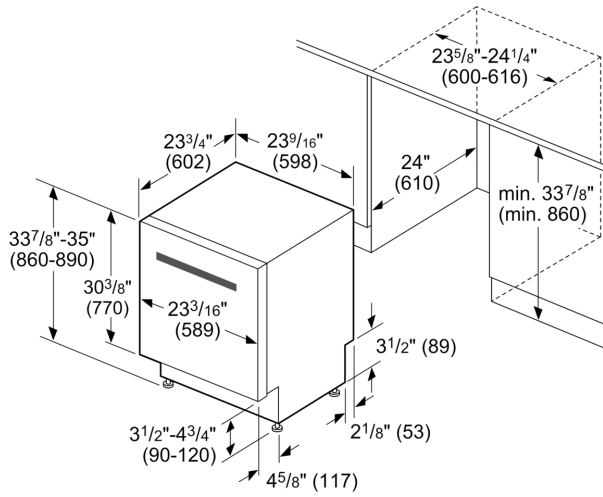
### Efficiency

- 259 kWh/yr - Energy Star®
- Eco Cycle Saves Energy
- Half Load Option for Small Loads

### Convenience

- InfoLight® Beams on Floor to Indicate Dishwasher is Running
- 24 h Delay Start Timer
- Self-Latching Door
- Express Wash - In 30 Minutes or Less
- SpeedPerfect™ Option Reduces Cycle Time while Maintaining Cleaning Performance

## Dishwasher, 24", Stainless steel SHX68TL5UC



measurements in inches (mm)