

Dishwasher, 24", Stainless steel SHX68R55UC



- 44 dBA- Quietest Dishwasher Brand.
- Saves up to 280 gallons of water each year
- 800 Series Racks
- Red LCD Display
- Delicate Wash for Fine China

Number of Options:	3
Number of options:	6
3rd Rack:	None
Tub Material:	Stainless Steel
Concealed heating element:	Yes
Leak protection system:	Aqua Stop
Five-level wash:	Yes
Water Softener:	No
ChildLock:	No
Total Annual Energy Consumption:	234 kWh
ENERGY STAR®:	Yes
Number of Place Settings:	14



-
- SGZ1010UC Drain hose extension kit
 - SGZ1052UC Dishwasher Accessory Kit
 - SGZPC001UC Powercord kit
 - SMZ5002UC Silverware box

Dishwasher, 24", Stainless steel SHX68R55UC

Key Features

- 44 dBA- Quietest Dishwasher Brand.
- Saves up to 280 gallons of water each year
- 800 Series Racks
- Red LCD Display
- Delicate Wash for Fine China

Design

- Stainless Steel TallTub
- Real Stainless Steel Fascia Panel

Performance

- InfoLight® Beams on Floor to Indicate Dishwasher is Running
- 4 Wash Cycles and 2 Options
- Sanitize Option eliminates bacteria and enhances drying results
- Variable Spray Pressure

Efficiency

- 234 kWh/yr - Energy Star®
- Exceeds ENERGY STAR Requirements for Water by 69%
- EcoSense™ Reduces Energy Usage by up to 20%
- Half Load Option for small loads

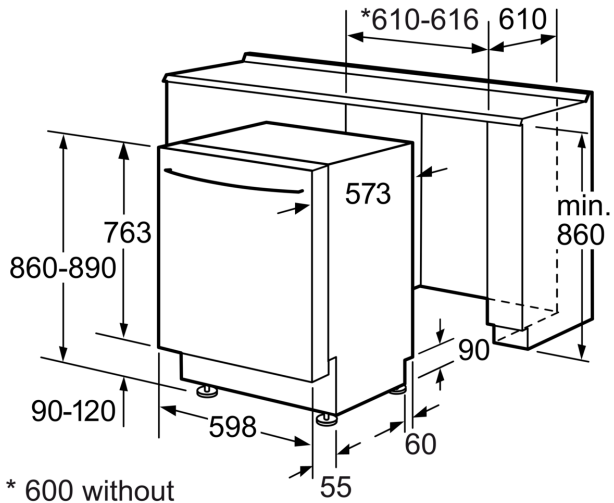
Convenience

- AquaStop® Leak Protection
- Multi-Function LED with Remaining Time
- 19 h Delay Start Timer
- Express Wash - In 30 Minutes or Less
- Delicate Wash for Fine China
- Rinse Cycle- Instead of PreRinsing

Capacity

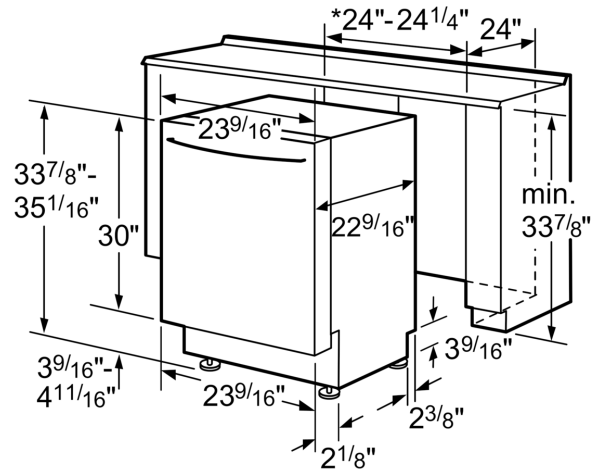
- 14 Place Setting Capacity
- RackMatic® Automatically Adjustable Upper Rack
- Duo-Flex Silverware Basket
- Extra Tall Item Sprinkler Cleans Items 22" Tall

**Dishwasher, 24", Stainless steel
SHX68R55UC**



* 600 without decorative strips

Measurements in mm



* 23⁵/₈" without decorative strip

measurements in inches