

Dishwasher, 24" SHV9PT53UC



Expandable wings on our flexible 3rd rack provide extra height to fit ramekins, measuring cups and extra-large utensils.

- **PrecisionWash®**: uses Intelligent sensors to monitor the wash water and automatically adjust the cycle for a smarter clean.
- **10 years warranty**: our promise against rust-through.
- **24h Delay Start Timer** lets you run your dishwasher at off-peak times.

Number of Options:	5
Number of options:	6
3rd rack:	Flexible 3rd Rack
Tub Material:	Stainless Steel
Concealed heating element:	Yes
Leak protection system:	24/7 Aqua Stop Plus
Five-level wash:	Yes
Water Softener:	Yes
ChildLock:	No
Total Annual Energy Consumption:	239 kWh
Energy Efficiency Class:	Tier 1
ENERGY STAR®:	Yes
Total Annual Water Consumption:	624 gal
Number of Place Settings:	15



-
- SMZPC002UC Powercord with cold plug
 - SGZ1010UC Drain hose extension kit
 - SGZ9091UC finish salt for dishwashers
 - SHZ1008UC s/s door with handle for dishwasher
 - SMZ1007UC stainless steel handle Integra V s/s
 - SMZ5000 Dishwashing aid set
 - SMZ5002UC Silverware box



Dishwasher, 24" SHV9PT53UC

Expandable wings on our flexible 3rd rack provide extra height to fit ramekins, measuring cups and extra-large utensils.

Key Features

- 39 dBA- Quietest Dishwasher Brand.
- Flexible 3rd Rack with Adjustable Separators Provides Additional Loading Capacity
- Made in Germany
- SteelTouch™ Control Panel
- White Light Illuminates the Interior when the Dishwasher is Open

Design

- 15 Place Setting Capacity
- Red Remaining Time Display
- RackMatic® on Upper Rack - 3 Height Adjustments and Up to 9 Possible Rack Positions
- Alternating Tines Fold Down to Accommodate Larger Cookware
- Extra Tall Item Sprinkler Cleans Items 22" Tall

Performance

- 6 Programs and 5 Options
- Detergent Tray Optimizes Detergent Dissolving
- Load Size Sensor Automates Wash Temperature
- Water Softener Ensures Perfect Shine
- Sanitize Option Eliminates Bacteria and Enhances Drying Results

Efficiency

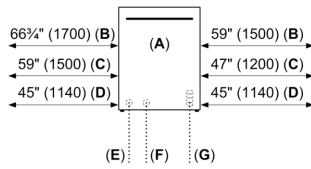
- 239 kWh/yr - Energy Star®
- Half Load Option for Small Loads

Convenience

- 24 h Delay Start Timer
- AquaStop® Leak Protection Works 24/7
- Self-Latching Door
- Express Wash - In 30 Minutes or Less
- SpeedPerfect™ Option Reduces Cycle Time while Maintaining Cleaning Performance
- Glass Care Cycle for Fine Glassware

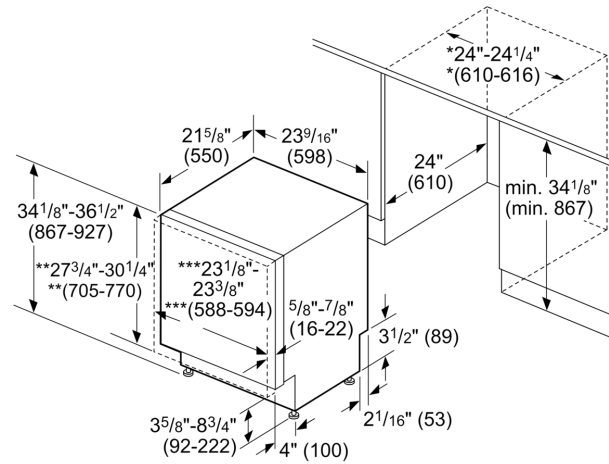
Dishwasher, 24" SHV9PT53UC

Measurements in inches (mm)



All connections are located on the rear of the appliance. Extension for drain hose available as accessory. Junction Box for hard wired connection available as accessory.

- A: Front view
- B: Drain hose
- C: Water inlet hose
- D: Electrical Power Cord: length shown according to Installation Instructions
- E: Inlet
- F: Drain
- G: Power



- * $23\frac{5}{8}"$ (600 mm) without decor strips
- ** measured from the bottom edge of the countertop panel thickness recommended $\frac{3}{4}"$ (20 mm), panel weight 7-22 lbs (3-10 kg)
- *** $24"$ (610 mm) wide panel may be used depending on cabinet design

measurements in inches (mm)