

## Dishwasher, 24" SHV9ER53UC



- **PrecisionWash®**: uses Intelligent sensors to monitor the wash water and automatically adjust the cycle for a smarter clean.
- **10 years warranty**: our promise against rust-through.
- **24h Delay Start Timer lets you run your dishwasher at off-peak times.**

---

Number of Options: .....	5
Number of options: .....	6
3rd rack: .....	Standard 3rd rack
Tub Material: .....	Stainless Steel
Concealed heating element: .....	Yes
Leak protection system: .....	24/7 Aqua Stop Plus
Five-level wash: .....	Yes
Water Softener: .....	Yes
ChildLock: .....	Childlock appliance
Total Annual Energy Consumption: .....	200 kWh
ENERGY STAR®: .....	No
Number of Place Settings: .....	14

---




---

SGZ1010	inlet and outlet hose extention
SGZ9091UC	finish salt for dishwashers
SMZ2014	Rack insert for stemware dishwasher
SMZ5000	Dishwashing aid set
SMZ5002	Silver polishing cassette
SMZ5100	Vario-cutlery basket

## Dishwasher, 24" SHV9ER53UC

---

### Key Features

- 39 dBA- Quietest in North America
- 3rd Rack for Additional Loading Capacity
- ActiveTab™ Tray Optimizes Detergent Dissolving
- Water Softener Ensures Perfect Cleaning Results
- AquaStop® Plus 4-Part Leak Protection Works 24/7
- Load Size Sensor Automates Wash Temperature

### Design

- Stainless Steel TallTub
- Real Stainless Steel Fascia Panel
- Red Remaining Time Display

### Performance

- InfoLight® Beams on Floor to Indicate Dishwasher is Running
- 4 Wash Cycles and 2 Options
- Sanitize Option eliminates bacteria and enhances drying results
- Variable Spray Pressure

### Efficiency

- Saves up to 599 gallons of water each year
- EcoSense™ Reduces Energy Usage by up to 20%
- Half Load Option for Small Loads

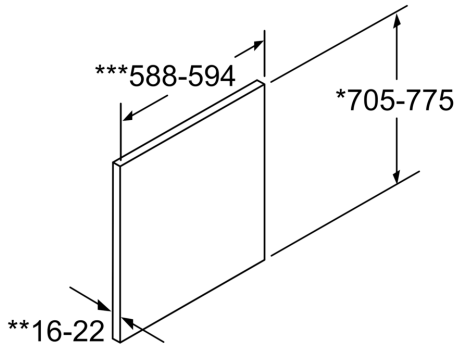
### Convenience

- Multi-Function LED with Remaining Time
- 24 h Delay Start Timer
- Express Wash - In 30 Minutes or Less
- Auto Delicate Wash for Fine China
- Glass Care Cycle for Fine Glassware

### Capacity

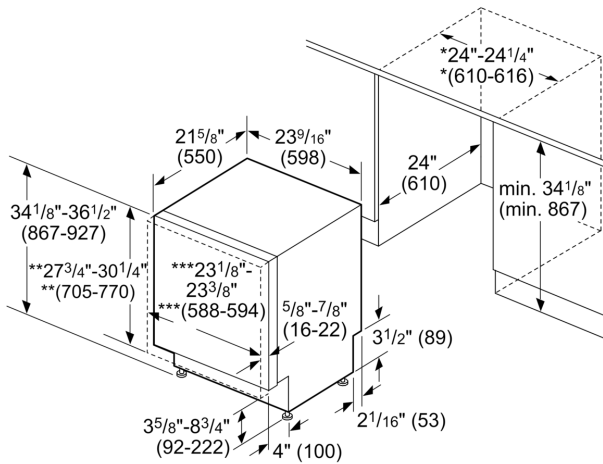
- 15 Place Setting Capacity
- VarioFlex™ Plus Racks for Flexible Loading
- RackMatic® Plus - Upper Rack adjusts to 3 Different Loading Levels
- Extra Tall Item Sprinkler Cleans Items 22" Tall

## Dishwasher, 24" SHV9ER53UC



- \* measured from the bottom edge of the countertop panel
- \*\* thickness recommended 20 mm, panel weight 4-8 kg
- \*\*\* 610 mm wide panel may be used depending on cabinet design

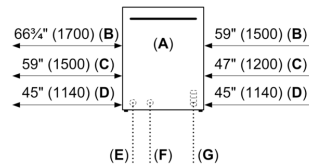
measurements in mm



- \* 23<sup>5</sup>/<sub>8</sub>" (600 mm) without decor strips
- \*\* measured from the bottom edge of the countertop panel thickness recommended 3/4" (20 mm), panel weight 7-22 lbs (3-10 kg)
- \*\*\* 24" (610 mm) wide panel may be used depending on cabinet design

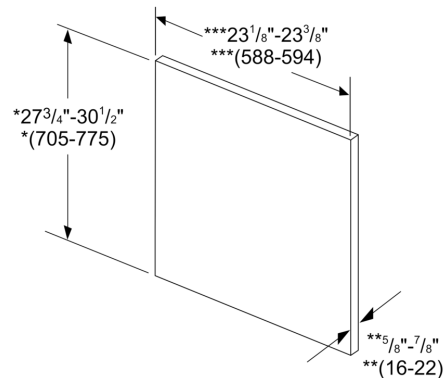
measurements in inches (mm)

Measurements in inches (mm)



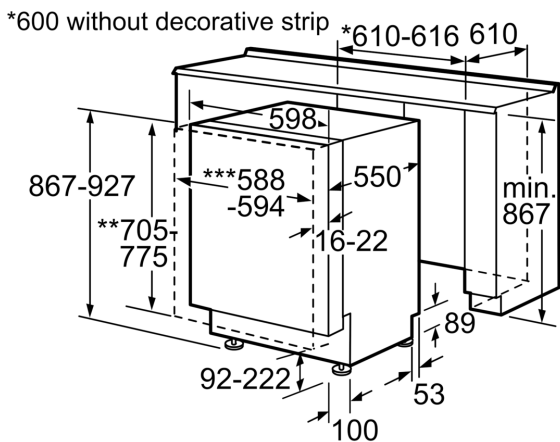
All connections are located on the rear of the appliance.  
Extension for drain hose available as accessory.  
Junction Box for hard wired connection available as accessory.

- A: Front view
- B: Drain hose
- C: Water inlet hose
- D: Electrical Power Cord: length shown according to Installation Instructions
- E: Inlet
- F: Drain
- G: Power



- \* measured from the bottom edge of the countertop panel
- \*\* thickness recommended 3/4" (20 mm), panel weight 9-18 lb (4-8 kg)
- \*\*\* 24" (610 mm) wide panel may be used depending on cabinet design

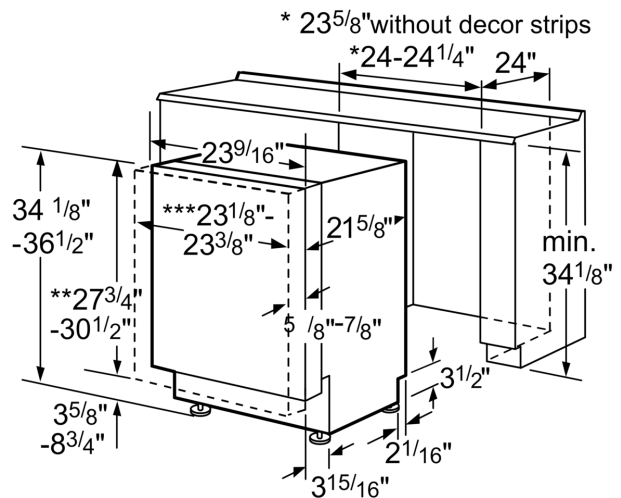
measurements in inches (mm)



\*\* measured from the bottom edge of the countertop panel thickness recommended 20 mm panel weight 4-8 kg.

\*\*\* 610 mm wide panel may be used depending on cabinet design.

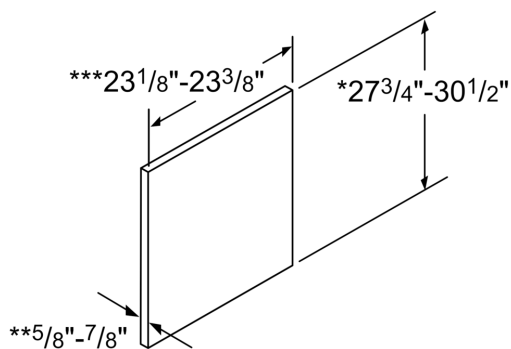
measurements in mm



\*\* measured from the bottom edge of the countertop panel thickness recommended 3/4" panel weight 9-18 lb

\*\*\* 24" wide panel may be used depending on cabinet design

measurements in inches



\* measured from the bottom edge of the countertop panel

\*\* thickness recommended 3/4", panel weight 9-18 lb

\*\*\* 24" wide panel may be used depending on cabinet design

Measurements in inches