

**Dishwasher, 24", Black
SHS63VL6UC**



Bosch dishwashers are so quiet, you may forget they're on. InfoLight® projects a red light onto the floor to let you know it's on.

- **PrecisionWash®:** uses Intelligent sensors to monitor the wash water and automatically adjust the cycle for a smarter clean.
- **10 years warranty:** our promise against rust-through.
- **24h Delay Start Timer lets you run your dishwasher at off-peak times.**
- **Remarkably Quiet Operation at 44 dBA: creating a dishwasher so quiet, you can't always tell it is running -- this is what makes Bosch the quietest dishwasher brand in the U.S.***

Number of Options:	5
Number of options:	4
3rd rack:	None
Tub Material:	Stainless Steel
Concealed heating element:	Yes
Five-level wash:	Yes
Water Softener:	No
ChildLock:	No
Total Annual Energy Consumption:	259 kWh
Energy Efficiency Class:	Tier 1
ENERGY STAR®:	Yes
Total Annual Water Consumption:	624 gal
Number of Place Settings:	15

- SGZ1010UC Drain hose extension kit
- SMZ5000 Dishwashing aid set
- SMZPC002UC Powercord with cold plug



Dishwasher, 24", Black SHS63VL6UC

Bosch dishwashers are so quiet, you may forget they're on. InfoLight® projects a red light onto the floor to let you know it's on.

Key Features

- Detergent Tray Optimizes Detergent Dissolving
- RackMatic® on Upper Rack - 3 Height Adjustments and Up to 9 Possible Rack Positions
- AquaStop® Leak Protection Works 24/7
- Self-Latching Door

Design

- Full Size Stainless Steel Tall Tub Installs Perfectly Flush
- 15 Place Setting Capacity
- LED Remaining Time Display

Performance

- 4 Programs and 5 options
- Load Size Sensor Automates Wash Temperature
- Sanitize Option Eliminates Bacteria and Enhances Drying Results
- ExtraScrub Option increases pressure and temperature for intensive cleaning

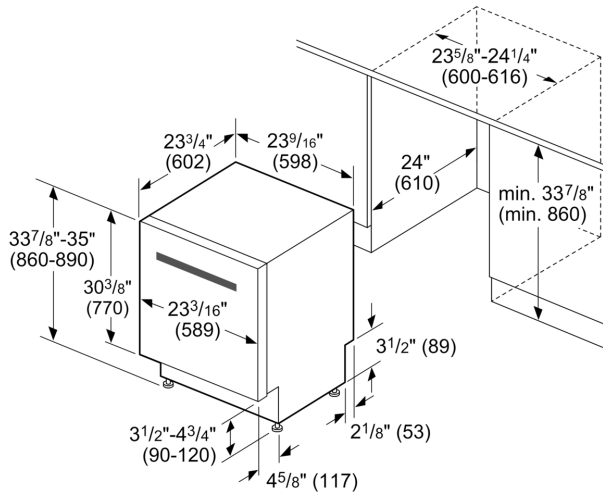
Efficiency

- 259 kWh/yr - Energy Star®

Convenience

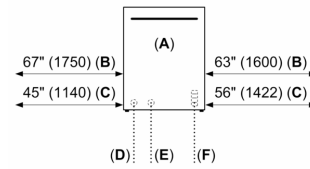
- InfoLight® Beams on Floor to Indicate Dishwasher is Running
- 24 h Delay Start Timer

Dishwasher, 24", Black SHS63VL6UC



measurements in inches (mm)

Measurements in inches (mm)



All connections are at the rear of the appliance. Extension for drain hose available as accessory. Junction Box for hard wired connection available as accessory.

A: Front view
B: Drain hose
C: Electrical Power Cord: length shown according to Installation Instructions
D: Inlet
E: Drain
F: Electrical