

Dishwasher, 24", White SHP65T52UC



The 3rd rack offers 30% more loading area. Perfect for ramekins, cooking utensils and extra-long silverware.

- **PrecisionWash®:** uses Intelligent sensors to monitor the wash water and automatically adjust the cycle for a smarter clean.
- **24h Delay Start Timer** lets you run your dishwasher at off-peak times.
- **Standard 3rd Rack:** provides a convenient top rack for your utensils, giving the other racks more space for dishes.
- **Pocket Handle**

Number of Options:	5
Number of options:	5
3rd Rack:	Standard 3rd Rack
Tub Material:	Stainless Steel
Concealed heating element:	Yes
Five-level wash:	Yes
Water Softener:	No
ChildLock:	No
Total Annual Energy Consumption:	259 kWh
Energy Efficiency Class:	Tier 1
ENERGY STAR®:	Yes
Total Annual Water Consumption:	624 gal
Number of Place Settings:	15



4 242002 801094

-
- SGZ1010UC Drain hose extension kit
 - SMZ4000UC silverware basket US Duo
 - SMZ5000 Dishwashing aid set
 - SMZPC002UC Powercord with cold plug

Dishwasher, 24", White SHP65T52UC

The 3rd rack offers 30% more loading area. Perfect for ramekins, cooking utensils and extra-long silverware.

Key Features

- 44 dBA- Quietest Dishwasher Brand.
- 3rd Rack for Additional Loading Capacity
- InfoLight® Beams on Floor to Indicate Dishwasher is Running
- RackMatic® on Upper Rack - 3 Height Adjustments and Up to 9 Possible Rack Positions
- AquaStop® Leak Protection Works 24/7

Design

- Full Size Stainless Steel Tall Tub Installs Perfectly Flush
- 16 Place Setting Capacity
- LED Remaining Time Display

Performance

- 5 Programs and 5 Options
- Detergent Tray Optimizes Detergent Dissolving
- Load Size Sensor Automates Wash Temperature
- Sanitize Option Eliminates Bacteria and Enhances Drying Results
- ExtraShine™ Option Enhances Shine and Drying Results of your Dishes

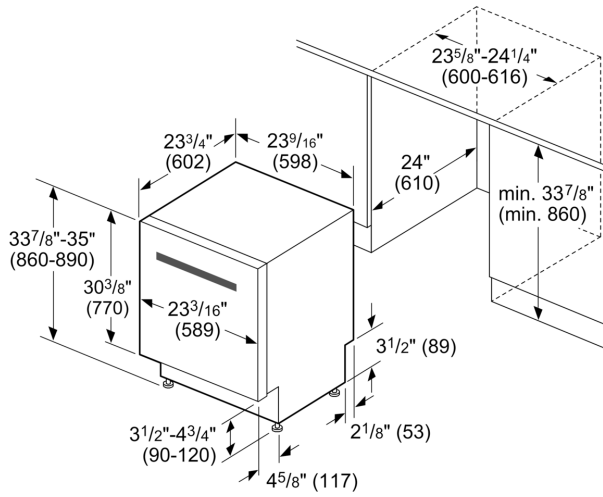
Efficiency

- 259 kWh/yr - Energy Star®
- Half Load Option for Small Loads

Convenience

- 24 h Delay Start Timer
- Self-Latching Door
- Express Wash - In 30 Minutes or Less

Dishwasher, 24", White SHP65T52UC



measurements in inches (mm)