

Dishwasher, 24", Stainless steel SHE9PT55UC




Expandable wings on our flexible 3rd rack provide extra height to fit ramekins, measuring cups and extra-large utensils.

- **PrecisionWash®:** uses Intelligent sensors to monitor the wash water and automatically adjust the cycle for a smarter clean.
- **10 years warranty:** our promise against rust-through.
- **24h Delay Start Timer** lets you run your dishwasher at off-peak times.
- **Flexible 3rd Rack:** provides a flexible top rack for your utensils with expandable wings and adjustable tines to accommodate bulky and tall items.

Number of Options: 5
 Number of options: 6
 3rd rack: Flexible 3rd Rack
 Tub Material: Stainless Steel
 Concealed heating element: Yes
 Leak protection system: 24/7 Aqua Stop Plus
 Five-level wash: Yes
 Water Softener: Yes
 ChildLock: No
 Total Annual Energy Consumption: 239 kWh
 Energy Efficiency Class: Tier 1
 ENERGY STAR®: Yes
 Total Annual Water Consumption: 624 gal
 Number of Place Settings: 15



- SGZ1010UC Drain hose extension kit
- SGZ9091UC finish salt for dishwashers
- SMZ5000 Dishwashing aid set
- SMZ5002UC Silverware box



Dishwasher, 24", Stainless steel SHE9PT55UC

Expandable wings on our flexible 3rd rack provide extra height to fit ramekins, measuring cups and extra-large utensils.

Key Features

- 39 dBA- Quietest Dishwasher Brand.
- Flexible 3rd Rack with Adjustable Separators Provides Additional Loading Capacity
- Made in Germany
- TFT - Full-Color Clear Text Display
- SteelTouch™ Control Panel

Design

- 15 Place Setting Capacity
- RackMatic® on Upper Rack - 3 Height Adjustments and Up to 9 Possible Rack Positions
- Alternating Tines Fold Down to Accommodate Larger Cookware
- Extra Tall Item Sprinkler Cleans Items 22" Tall

Performance

- 6 Programs and 5 Options
- Detergent Tray Optimizes Detergent Dissolving
- Load Size Sensor Automates Wash Temperature
- Water Softener Ensures Perfect Shine
- Sanitize Option Eliminates Bacteria and Enhances Drying Results

Efficiency

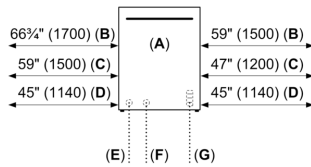
- 239 kWh/yr - Energy Star®
- Half Load Option for Small Loads

Convenience

- White Light Illuminates the Interior when the Dishwasher is Open
- 24 h Delay Start Timer
- AquaStop® 4-Part Leak Protection Works 24/7 AquaStop® Leak Protection Works 24/7 to Detect and Contain Leaks
- Self-Latching Door
- Express Wash - In 30 Minutes or Less
- SpeedPerfect™ Option Reduces Cycle Time while Maintaining Cleaning Performance
- Glass Care Cycle for Fine Glassware

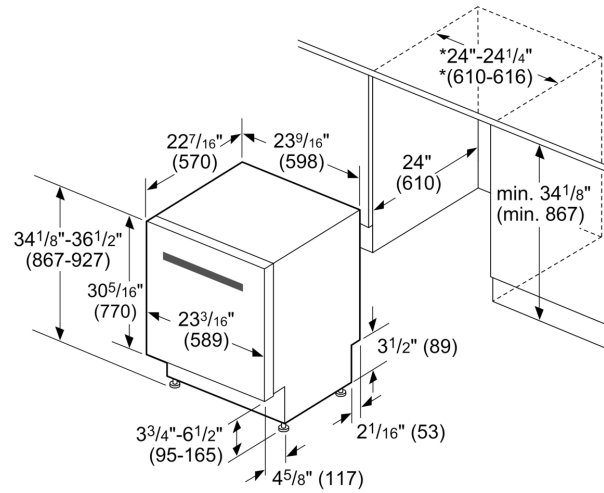
Dishwasher, 24", Stainless steel SHE9PT55UC

Measurements in inches (mm)



All connections are located on the rear of the appliance.
Extension for drain hose available as accessory.
Junction Box for hard wired connection available as accessory.

- A: Front view
- B: Drain hose
- C: Water inlet hose
- D: Electrical Power Cord: length shown according to Installation Instructions
- E: Inlet
- F: Drain
- G: Power



*23 $\frac{5}{8}$ " (600) without decor strips

measurements in inches (mm)