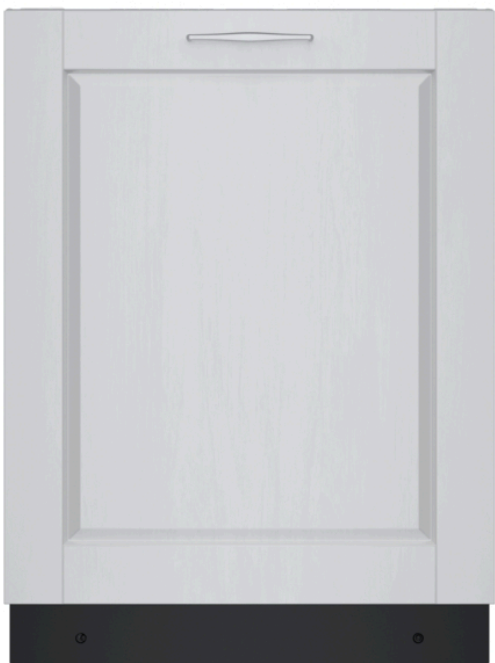


Features and Benefits

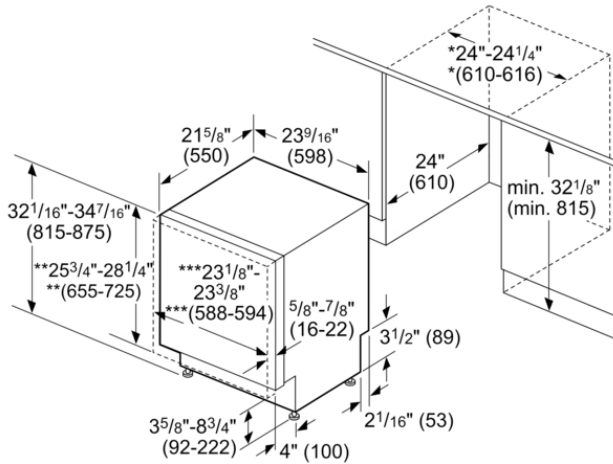


Notes: All height, width and depth dimensions are shown in inches. *Please refer to installation instructions prior to making cutout. BSH reserves the absolute and unrestricted right to change product materials and specifications, at any time, without notice. Consult the product's installation instructions for final dimensional data and other details. Applicable product warranty can be found in a accompanying product literature or you may contact your account manager for further details.

For more information on our entire line of products, go to boschappliances.com or call 1-800-944-2904.
Copyright ©2022 BSH Home Appliances Corporation. All rights reserved. Bosch is a registered trademark of Robert Bosch GmbH.

Litho Date: 05/2022

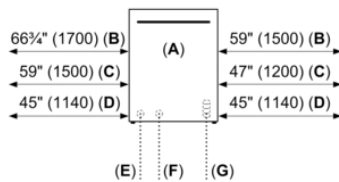




- * 23⁵/₈" (600 mm) without decor strips
- ** measured from the bottom edge of the countertop panel thickness recommended 3/4" (20 mm), panel weight 6-18 lbs (2.5-8.5 kg)
- *** 24" (610 mm) wide panel may be used depending on cabinet design

measurements in inches (mm)

Measurements in inches (mm)



All connections are located on the rear of the appliance. Extension for drain hose available as accessory. Junction Box for hard wired connection available as accessory.

- A: Front view
- B: Drain hose
- C: Water inlet hose
- D: Electrical Power Cord: length shown according to Installation Instructions
- E: Inlet
- F: Drain
- G: Power

Features

Watts	1440
Fuse protection	12
Volts	120
Frequency	60
Power Cord Length	67"
Minimum Water Pressure	7.0
Length inlet hose (in)	65"
Length outlet hose (in)	74 3/4"
Overall appliance dimensions (HxWxD) (in)	32 1/16" x 23 9/16" x 24"
Required cutout size (HxWxD) (in)	32 1/8" x 23 9/16" x 24"
Adjustable feet	Yes - all from front

Technical Specification

Number of Options	5
Number of programmes	6
Third Rack	3rd Rack 1.0
Tube material	Stainless steel
Concealed heating element	Yes
Leak protection system	24/7 Aqua Stop Plus
Five-level wash	Yes
Water softener	Yes
ChildLock	No
Total annual energy consumption	269
Energy Efficiency Class	Tier 1
ENERGY STAR®	Yes
Total annual energy consumption	15
Total annual water consumption	
Number of place settings	15

Notes: All height, width and depth dimensions are shown in inches. *Please refer to installation instructions prior to making cutout. BSH reserves the absolute and unrestricted right to change product materials and specifications, at any time, without notice. Consult the product's installation instructions for final dimensional data and other details. Applicable product warranty can be found in a accompanying product literature or you may contact your account manager for further details.

For more information on our entire line of products, go to boschappliances.com or call 1-800-944-2904. Copyright ©2022 BSH Home Appliances Corporation. All rights reserved. Bosch is a registered trademark of Robert Bosch GmbH.

Litho Date: 05/2022

