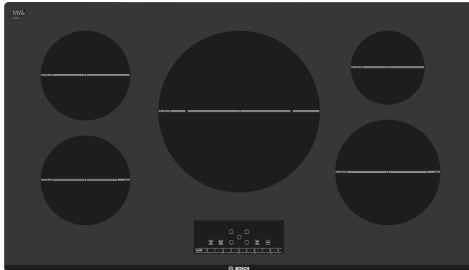


**Series 6, Induction Cooktop, Black,
Without Frame
NIT8666UC**



The 800 Induction Cooktop is Sleek in Design, and Features AutoChef® Technology Which Maintains Precise Cooking Temperatures.

- **PreciseSelect®** - direct cooking level selection.
- **Power Boost:** up to 35% faster heating compared to highest power level.
- **Panel Lock:** locks the control panel to prevent accidental changes in settings
- **Induction:** faster than gas and electric cooktops. Precise cooking, easy cleaning and more efficient.
- **Precise Temperature Control:** Induction cooking offers a range of numbered heat levels for precise temperature and heat levels every time

- HEZ390210 System pan diameter 15 cm
 HEZ390220 System pan diameter 19 cm
 HEZ390230 System pan diameter 21cm

UPC code: 825225904700
 Color: Black
 Energy source: Electric
 Fuse protection:40 A
 Volts:208-240 V
 Frequency: 60 Hz
 Power Cord Length:37"
 Plug type:no plug
 Required Cutout Size (HxWxD) (in):4 1/8" x 34 7/8" x 20"
 Minimum distance from counter front (in): 2 1/4"
 Minimum distance from rear wall (in): 2"
 Overall appliance dimensions (HxWxD) (in): 5/16"+4 1/8" x 37" x 21 1/4"
 Product Packaging Dimensions (HxWxD): 7 1/16" x 42 1/8" x 26 5/8"
 Net Weight: 49.000 lbs
 Gross Weight: 60.000 lbs
 Total Number of Heating Elements: 5



**Series 6, Induction Cooktop, Black,
Without Frame
NIT8666UC**

**The 800 Induction Cooktop is Sleek in
Design, and Features AutoChef®
Technology Which Maintains Precise
Cooking Temperatures.**

Design

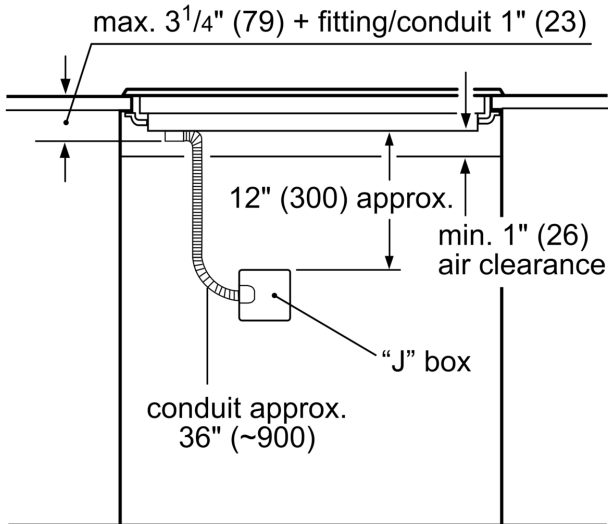
- Also Available with Stainless Steel Frame: NIT8666SUC

Efficiency

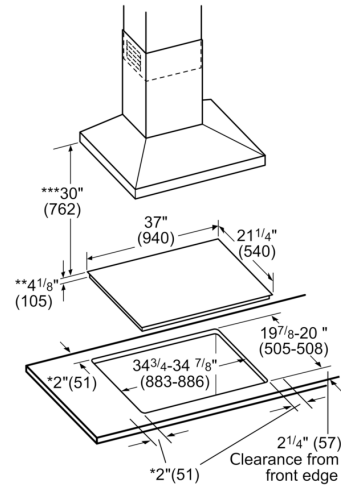
Convenience

- Each Element has an independent Countdown Timer
- PreciseSelect® - Direct Cooking Level Selection (17 Settings)
- Improved Installation Flexibility: Only 36" Induction Cooktop in its Class that Requires a 40amp Breaker
- ChildLock - Prevents the Cooktop from Being Accidentally Switched On, Locks Temperature Settings if in Use
- SafeStart - Ensures that Element is Only Activated, if Suitable Cookware is in Position; no Activation When Other Metal Objects are Placed on Element

**Series 6, Induction Cooktop, Black,
Without Frame
NIT8666UC**



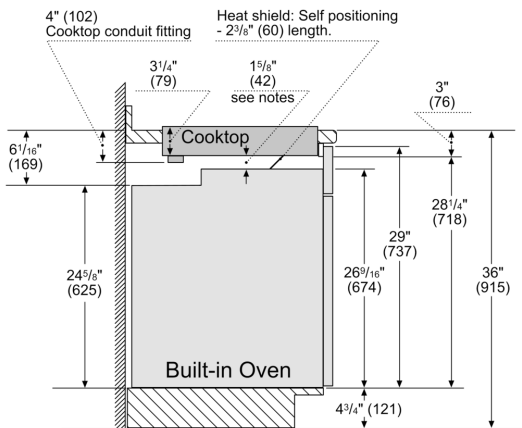
Measurements in inches (mm)



- * Minimum clearance from the cooktop cutout to the wall
- ** Installed depth includes a gap of 1" (26 mm) for ventilation
- *** Minimum clearance between the cooktop surface and lower edge of the exhaust hood.

measurements in inches (mm)

30" Built-in oven - under induction cooktop



Notes:

Dimensions based on standard countertop height (36" with 4 3/4" toe kick including base plate).

The built-in oven can be installed below the induction cooktop as long as there is a minimum 1" (26) clearance between the bottom of the cooktop and the top of the oven.

measurements in inches (mm)