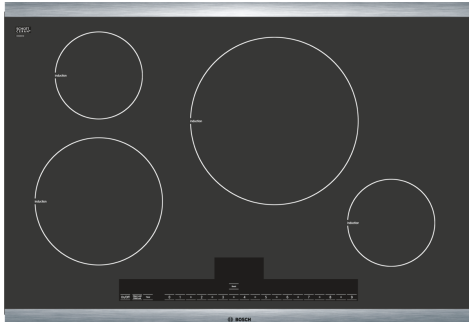


Induction Cooktop, Black, surface mount with frame NIT5065UC



- **Power Boost:** up to 35% faster heating compared to highest power level.
- **Panel Lock:** locks the control panel to prevent accidental changes in settings
- **Induction:** faster than gas and electric cooktops. Precise cooking, easy cleaning and more efficient.
- **Precise Temperature Control:** Induction cooking offers a range of numbered heat levels for precise temperature and heat levels every time
- **Count-Up Timer:** allows you to accurately time each step of your recipe.

UPC code: 825225866183
 Color: Black
 Energy source: Electric
 Fuse protection: 40 A
 Volts: 208-240 V
 Frequency: 60 Hz
 Power Cord Length: 37"
 Plug Type: No Plug
 Required Cutout Size (HxWxD) (in): 4 1/8" x 28 7/8" x 20"
 Minimum distance from counter front (in): 2 1/4"
 Minimum distance from rear wall (in): 2"
 Overall appliance dimensions (HxWxD) (in): 5/16"+4 1/8" x 31" x 21 1/4"
 Product Packaging Dimensions (HxWxD): 7 1/16" x 36 5/8" x 26 5/8"
 Net Weight: 41.000 lbs
 Gross Weight: 48.000 lbs
 Total Number of Heating Elements: 4



Induction Cooktop, Black, surface mount with frame NIT5065UC

Key Features

- 11" Heating Element with Powerful 3600W
- SpeedBoost™ - This Fast-heat Mode Boils Water Twice as Fast as Conventional Electric Cooktops, Saving Time and Energy.
- Countdown Timer - Built-in Timers for Each Element. Doubles as General-Purpose Kitchen Timer
- PreciseSelect® - Direct Cooking Level Selection (17 Settings)

Design

- High-end Stainless Steel Frame for a Premium Look
- Sleek Touch Control Panel Offers a Choice of 17 Settings for Unprecedented Temperature Control.

Performance

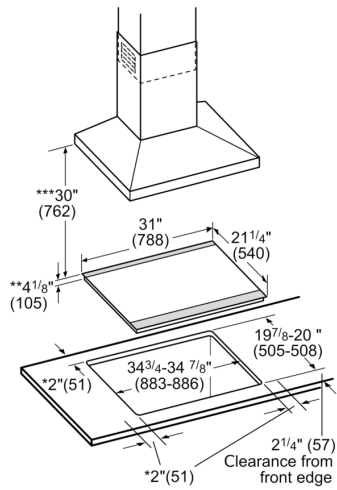
Efficiency

- PotSense - Automatically Recognizes Bottom of Pan on Cooking Element

Convenience

- Overflow Detection - Sounds Alarm and Shuts off Cooktop in Case of an Overflow
- ChildLock - Prevents the Cooktop from Being Accidentally Switched On, Locks Temperature Settings if in Use
- SafeStart - Ensures that Element is Only Activated, if Suitable Cookware is in Position; no Activation When Other Metal Objects are Placed on Element
- Anti-Overheat System - Shuts off Cooktop, if Surface Temperature Exceeds a Set Value
- 2-Level Heat Indicator - Warns if Cooktop is Warm or Hot
- CleanLock - Prevents Unwanted Changing of Setting While Cleaning Spills

Induction Cooktop, Black, surface mount with frame NIT5065UC



- * Minimum clearance from the cooktop cutout to the wall
 - ** Installed depth includes a gap of 1" (26 mm) for ventilation
 - *** Minimum clearance between the cooktop surface and lower edge of the exhaust hood.
- measurements in inches (mm)