

Electric Cooktop, 36", Black, Without Frame NET8654UC



HEZ390230 System pan diameter 21cm

- **Panel Lock:** locks the control panel to prevent accidental changes in settings
- **Bridge Element:** combines two cooking areas to accommodate larger cookware.
- **Precise Temperature Control:** Induction cooking offers a range of numbered heat levels for precise temperature and heat levels every time
- **Count-Up Timer:** allows you to accurately time each step of your recipe.
- **17 Power Levels:** offers a variety of cooking options with different heat levels for every need.

UPC code: 825225867647
 Color: Black
 Energy source: Electric
 Fuse protection: 42 A
 Volts: 240/208 V
 Frequency: 60 Hz
 Plug Type: No Plug
 Required Cutout Size (HxWxD) (in): 4" x 34 7/8" x 20"
 Minimum distance from counter front (in): 2 1/4"
 Minimum distance from rear wall (in): 2"
 Overall appliance dimensions (HxWxD) (in): .. 1/4"+4" x 37" x 21 1/4"
 Product Packaging Dimensions (HxWxD): 7 7/8" x 43 5/16" x 24"
 Net Weight: 32.000 lbs
 Gross Weight: 42.000 lbs
 Total Number of Heating Elements: 5



Electric Cooktop, 36", Black, Without Frame NET8654UC

Key Features

- SteelTouch™ with PreciseSelect™ - A Bosch Exclusive. High-end, Stainless Steel Touch Controls with Direct Cooking Selection (17 Settings).
- Three-Zone 12" Heating Element with Powerful 3080 Watt Element. Three Heating Zone Sizes in One. Accommodates a Variety of Pan Sizes.
- PowerStart® - Initial Maximum Power Output, Then Automatic Decrease to Pre-Selected Temperature. Avoids Boil Overs
- AutoChef® Sensor - A Bosch Exclusive. Maintains Exact Frying Temperature for Perfect Results and Convenient, Healthy Cooking
- Countdown Timer - Built-in Timers for Each Element. Doubles as General-Purpose Kitchen Timer

Design

- High-end Stainless Steel Frame for a Premium Look

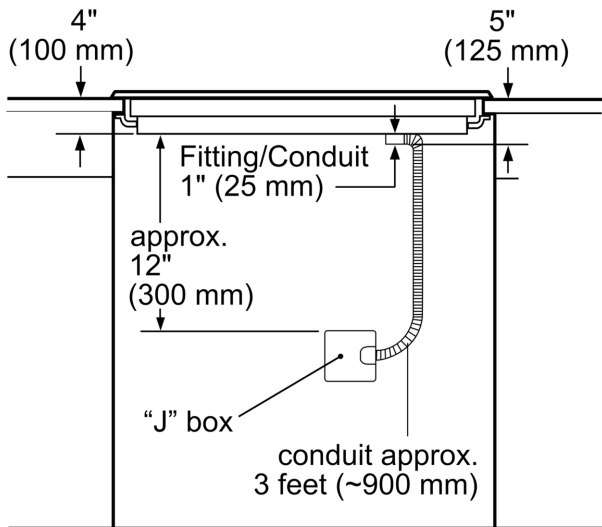
Performance

- Bridge Element Accommodates Oblong or Oversized Pans and Griddles
- Dual Elements Offer the Capability to use Multiple Pan Sizes

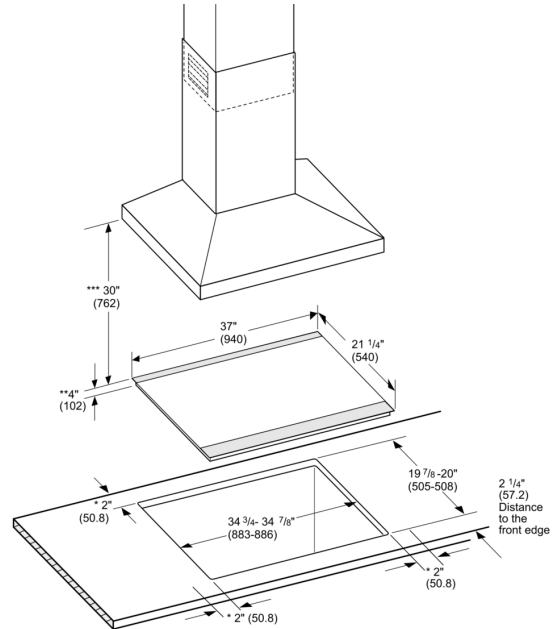
Convenience

- Bosch Recommended Pan Included - Excellent Heating Performance and Superior Cleanability, Dishwasher Safe, Works with Electric and Induction Cooktops
- CleanLock - Prevents Unwanted Changing of Setting While Cleaning Spills
- Keep Warm function - allows meals to remain ready to serve
- Two-Level Heat Indicator - Warns if Cooktop is Warm or Hot
- ChildLock - Prevents the Cooktop from Being Accidentally Switched On, Locks Temperature Settings if in Use

**Electric Cooktop, 36", Black,
Without Frame
NET8654UC**



measurement in inches (mm)



- * Minimum distance from the cooktop cutout to the wall
- ** Maximum cutout depth
- *** Minimum distance between the cooktop surface and lower edge of the exhaust hood.

Dimensions in inches (mm)