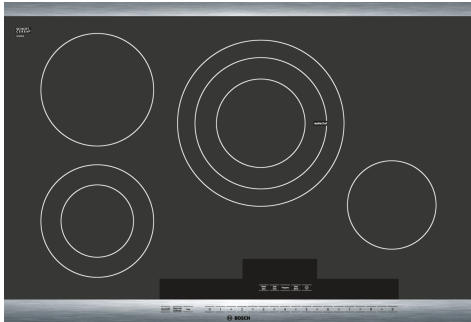


Electric Cooktop, Black, Without Frame NET8054UC



HEZ390230 System pan diameter 21cm

- **SteelTouch™ with PreciseSelect™ - A Bosch Exclusive. High-end, Stainless Steel Touch Controls with Direct Cooking Selection (17 Settings).**
- **Three-Zone 12" Heating Element with Powerful 3080 Watt Element. Three Heating Zone Sizes in One. Accommodates a Variety of Pan Sizes.**
- **PowerStart® - Initial Maximum Power Output, Then Automatic Decrease to Pre-Selected Temperature. Avoids Boil Overs**
- **AutoChef® Sensor - A Bosch Exclusive. Maintains Exact Frying Temperature for Perfect Results and Convenient, Healthy Cooking**
- **CountDown Timer - Built-in Timers for Each Element. Doubles as General-Purpose Kitchen Timer**

UPC code: 825225867616
 Color: Black
 Energy source: Electric
 Fuse protection:32 A
 Volts: 240/208 V
 Frequency: 60 Hz
 Plug type:no plug
 Required Cutout Size (HxWxD) (in):4" x 28 7/8" x 20"
 Minimum distance from counter front (in): 2 1/4"
 Minimum distance from rear wall (in): 2"
 Overall appliance dimensions (HxWxD) (in): .. 1/4"+4" x 31" x 21 1/4"
 Product Packaging Dimensions (HxWxD): 7 7/8" x 37 3/8" x 24"
 Net Weight: 27.000 lbs
 Gross weight: 35.000 lbs
 Total number of cooktop burners: 4



Electric Cooktop, Black, Without Frame NET8054UC

Key Features

- SteelTouch™ with PreciseSelect™ - A Bosch Exclusive. High-end, Stainless Steel Touch Controls with Direct Cooking Selection (17 Settings).
- Three-Zone 12" Heating Element with Powerful 3080 Watt Element. Three Heating Zone Sizes in One. Accommodates a Variety of Pan Sizes.
- PowerStart® - Initial Maximum Power Output, Then Automatic Decrease to Pre-Selected Temperature. Avoids Boil Overs
- AutoChef® Sensor - A Bosch Exclusive. Maintains Exact Frying Temperature for Perfect Results and Convenient, Healthy Cooking
- Countdown Timer - Built-in Timers for Each Element. Doubles as General-Purpose Kitchen Timer

Design

- High-end Stainless Steel Frame for a Premium Look

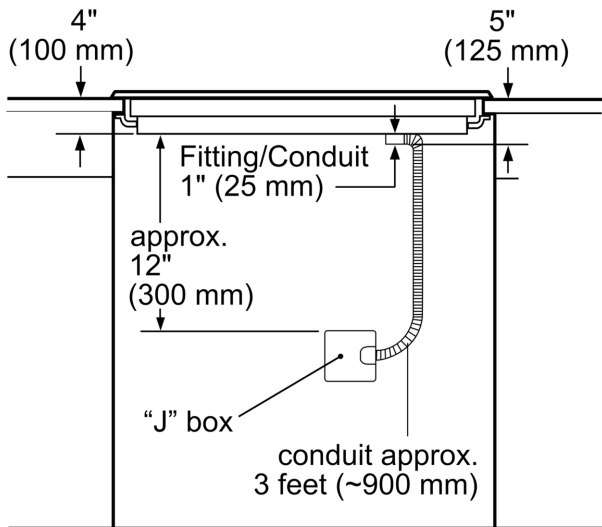
Performance

- Dual Elements Offer the Capability to use Multiple Pan Sizes

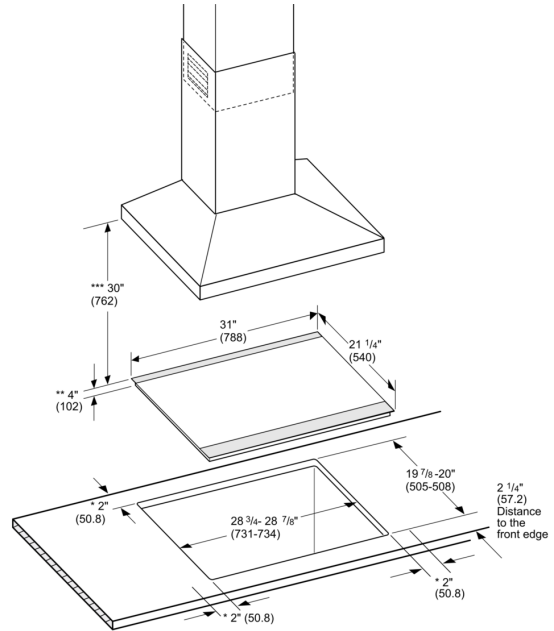
Convenience

- Bosch Recommended Pan Included - Excellent Heating Performance and Superior Cleanability, Dishwasher Safe, Works with Electric and Induction Cooktops
- CleanLock - Prevents Unwanted Changing of Setting While Cleaning Spills
- Keep Warm function - allows meals to remain ready to serve
- Two-Level Heat Indicator - Warns if Cooktop is Warm or Hot
- ChildLock - Prevents the Cooktop from Being Accidentally Switched On, Locks Temperature Settings if in Use

Electric Cooktop, Black, Without Frame
NET8054UC



measurement in inches (mm)



- * Minimum distance from the cooktop cutout to the wall
- ** Maximum cutout depth
- *** Minimum distance between the cooktop surface and lower edge of the exhaust hood.

Dimensions in inches (mm)