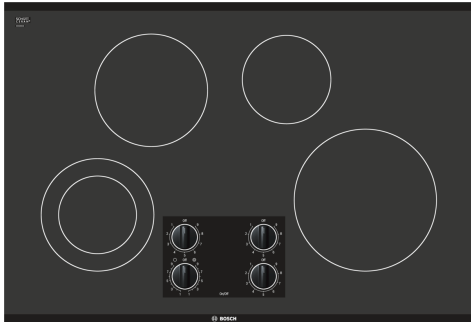


Electric Cooktop, Black, Without Frame NEM3064UC



- **Dual Cooking Element:** offers different sized elements to accommodate different sized pots and pans.
- **Push-to-turn control knobs.**
- **Precise Temperature Control:** select your ideal temperature for precise cooking control.

UPC code: 825225867364
 Color: Black
 Energy source: Electric
 Fuse protection:30 A
 Volts: 240/208 V
 Frequency: 60 Hz
 Plug type:no plug
 Required Cutout Size (HxWxD) (in):4" x 28 7/8" x 20"
 Minimum distance from counter front (in): 2 1/4"
 Minimum distance from rear wall (in): 2"
 Overall appliance dimensions (HxWxD) (in): .. 1/4"+4" x 31" x 21 1/4"
 Product Packaging Dimensions (HxWxD): 7 7/8" x 37" x 24"
 Net Weight: 25.000 lbs
 Gross weight: 33.000 lbs
 Total number of cooktop burners: 4



Electric Cooktop, Black, Without Frame NEM3064UC

Key Features

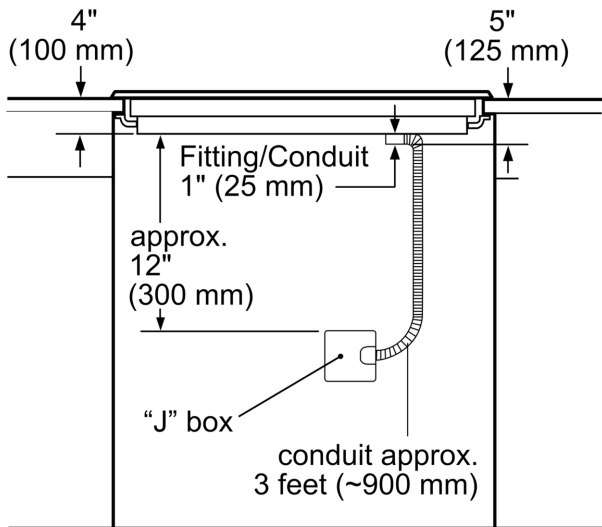
- High Quality Black Knobs with a Stainless Steel Bezel
- Infinite Temperature Controls for Precision Cooking

Design

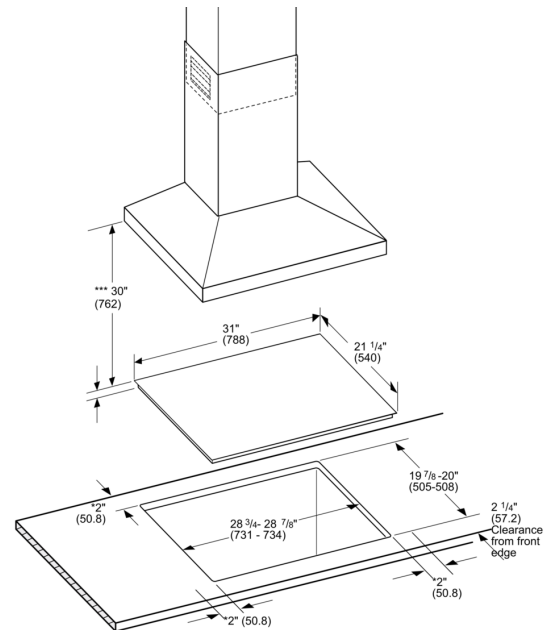
Performance

- Dual Elements Offer the Capability to use Multiple Pan Sizes
- Heat Indicator - Warns if Cooktop is Warm or Hot

**Electric Cooktop, Black, Without
Frame
NEM3064UC**



measurement in inches (mm)



- * Minimum clearance from the cooktop cutout to the wall
- ** Maximum depth
- *** Minimum clearance between the cooktop surface and lower edge of exhaust hood.

measurements in inches (mm)