

**500 Series, Over-The-Range
Microwave, 30", Left Side Opening
Door
HMV5052U**



**The Precisely Designed OTR Microwave is
a Perfect Match for the Bosch Slide-in
Range**

- **Over-the-Range Microwave:** designed to install with a Bosch range or cooktop.
- **2-in-1 Experience:** offers a variety of cooking options by combining a microwave and convection oven.
- **1,100 Watts of Power - offers exceptional cooking speed and heating performance.**
- **Triple Distribution Turntable:** offers more even cooking by distributing heat effectively.
- **Multi-Speed Vent:** efficiently removes steam, smoke, grease and odors from your kitchen.

UPC code: 825225908838
 Product color: Stainless Steel
 Watts: 1550 W
 Fuse protection: 15 A
 Volts: 120 V
 Frequency: 60 Hz
 Power Cord Length: 40"
 Plug Type: 120V-3 prong
 Required Cutout Size (HxWxD) (in): 30" + 30" x 12"-14"
 Overall Appliance Dimensions (HxWxD) (in): ..17 1/2" x 29 7/8" x 15 7/8"
 Product Packaging Dimensions (HxWxD): 20.07 x 33.26 x 19.29
 Net Weight: 63.000 lbs
 Gross Weight: 70.000 lbs



**500 Series, Over-The-Range
Microwave, 30", Left Side Opening
Door
HMV5052U**

**The Precisely Designed OTR Microwave is
a Perfect Match for the Bosch Slide-in
Range**

Design

- Seamless Vent Cover Makes Clean Up a Breeze

Capacity

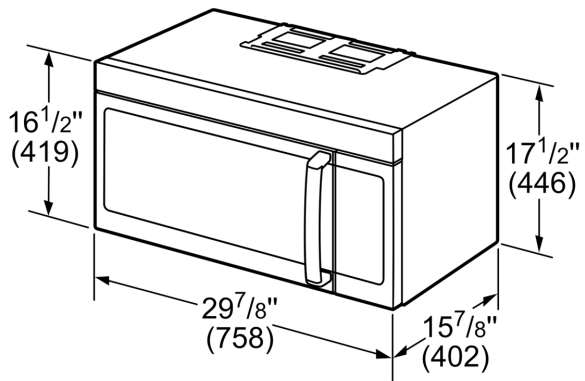
Efficiency

- Recirculation or Outside Venting Options

Convenience

- Timer With Cook Function and Automatic Shut Off
- 30 Watt Lighting for Bright Cooktop Illumination
- Popcorn Program - Get Fully "Popped" Popcorn Simply by Entering the Bag Size
- Automatic Defrost Determines Power Level and Cooking Time
- Reheat Setting Automatically Determines Power Level and Cooking Time

**500 Series, Over-The-Range
Microwave, 30", Left Side Opening
Door
HMV5052U**



measurements in inches (mm)