

30", Left Side Opening Door HMV3051U



The Precisely Designed OTR Microwave is a Perfect Match to the Sleek Design of the Bosch Kitchen

- **2-in-1 Experience:** offers a variety of cooking options by combining a microwave and convection oven.
- **Triple Distribution Turntable:** offers more even cooking by distributing heat effectively.
- **Reheat feature provides 3 quick preset settings based on serving size.**
- **SpeedChef™:** offers several cooking cycles for quick convenience.
- **Sensor Detection:** can detect when the food is finished and automatically turn off the microwave.

UPC code: 825225879046
 Product color: Stainless Steel
 Alternative colors available: HMV3021U, HMV3061U
 Watts: 1550 W
 Fuse protection: 15 A
 Volts: 120 V
 Frequency: 60 Hz
 Plug type: 120V-3 prong
 Required Cutout Size (HxWxD) (in): 16 1/2" x 30" x 12 7/8"
 Overall Appliance Dimensions (HxWxD) (in): . 16 1/2" x 29 7/8" x 15"
 Product Packaging Dimensions (HxWxD): 20.07 x 33.26 x 19.29
 Net Weight: 56.000 lbs
 Gross Weight: 62.000 lbs



30", Left Side Opening Door HMV3051U

The Precisely Designed OTR Microwave is a Perfect Match to the Sleek Design of the Bosch Kitchen

Design

- Seamless Vent Cover Makes Clean Up a Breeze

Capacity

- 1.6 Cu. Ft. Oven Capacity

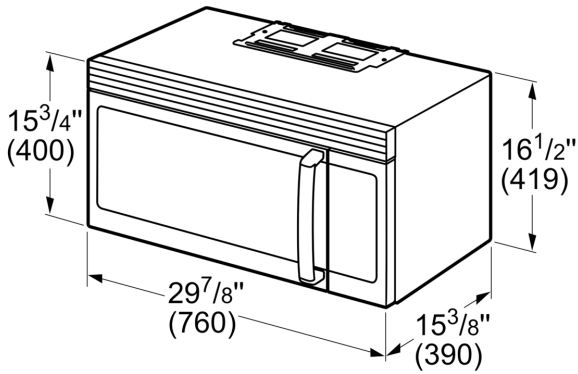
Efficiency

- Recirculation or Outside Venting Options - Up to 300 CFM
- 1,000 Cooking Watts
- Two 30 Watts Lights for Bright Cooktop Illumination

Convenience

- Timer With Cook Function and Automatic Shut Off
- Popcorn Program - Get Fully "Popped" Popcorn Simply by Entering the Bag Size
- Reheat Setting Automatically Determines Power Level and Cooking Time

**30", Left SideOpening Door
HMV3051U**



Measurements in inches
(mm) in brackets

