

installation accessory
HDDFTRAN8



8" Front Rough-In Plate Enable Ducting To Be At Front Of Downdraft, For Use With Inline And Remote Blower Applications

- 8" Round Front Rough-In Plate
- For DHG602DUC Flexible Downdraft Blower Used As Inline Installation
- See Installation Guide For Details



installation accessory
HDDFTRAN8

**8" Front Rough-In Plate Enable Ducting To
Be At Front Of Downdraft, For Use With
Inline And Remote Blower Applications**

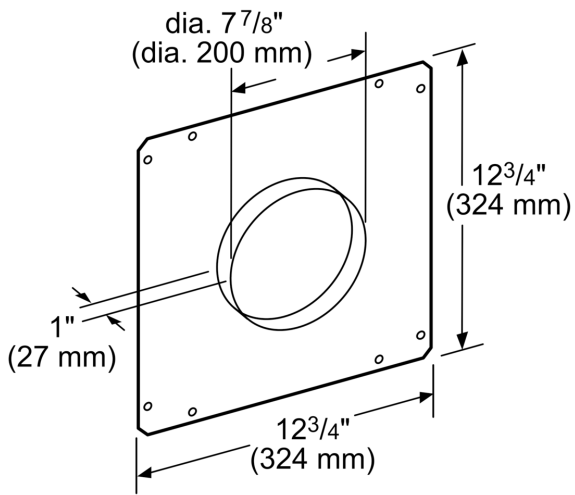
Design

- 8" Round Front Rough-In Plate

Performance

- For DHG602DUC Flexible Downdraft Blower Used As Inline Installation
- See Installation Guide For Details

installation accessory
HDDFTRAN8



measurements in inches (mm)