

30" Combination Wall Oven 27" Warming Drawer, HWD5051UC, Stainless Steel HBL5750UC



Features and Benefits

Key Features

- Large Capacity at 4.7 Cu.Ft.
- Fast Preheat Reduces Preheat Time to 7 Minutes
- Meat Probe Takes Guesswork out of Cooking
- Recipe Mode Provides 30 Pre-Programmed Auto Settings

Design

- Contemporary Stainless Steel Design
- ClearTouch® Glass Control
- Flush-to-Cabinet Design
- Retractable Controls for Sleek and Easy to Clean Design
- 2-in-1 Design Oven and Traditional Microwave

Performance

- 14 Specialized Cooking Modes - Gourmet Cooking Made Easy
- Genuine European Convection
- Speed Convection Saves up to 30% Time
- Custom Cooking Modes: Pizza, Pie, Warm and Proof

Efficiency

- EcoClean™ 2-Hour Self-Clean Cycle

Convenience

- Amber Colored Full Text Display
- Timer with Cook Time and Delay Start Function
- Extra Large Door Window for Easy Monitoring of Cooking
- High Quality Self-cleaning Rack Supports
- Star-K certified
- Two Oven Lights to Better Monitor Cooking Progress

Capacity

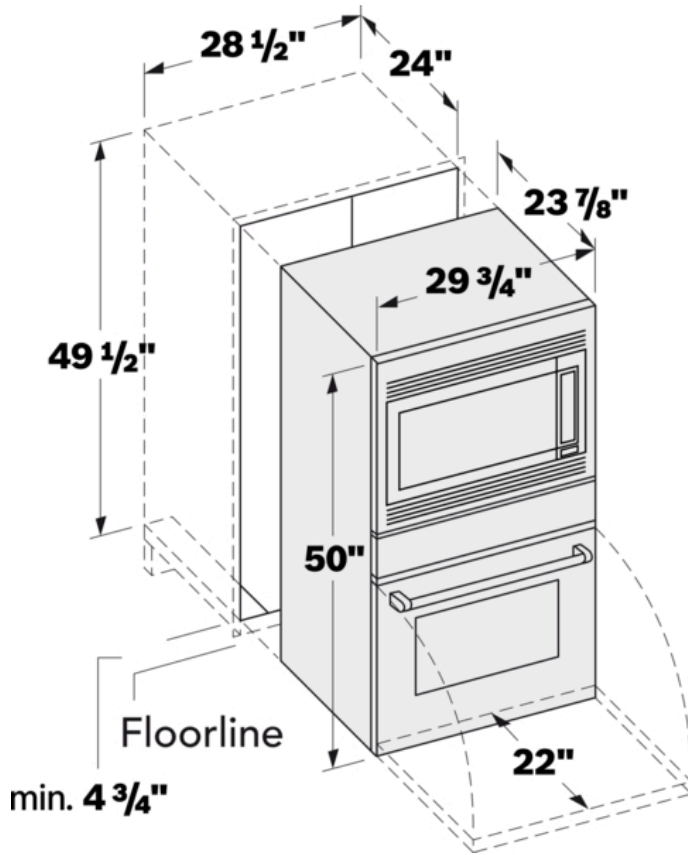
Notes: All height, width and depth dimensions are shown in inches. *Please refer to installation instructions prior to making cutout. BSH reserves the absolute and unrestricted right to change product materials and specifications, at any time, without notice. Consult the product's installation instructions for final dimensional data and other details. Applicable product warranty can be found in a accompanying product literature or you may contact your account manager for further details.

For more information on our entire line of products, go to boschappliances.com or call 1-800-944-2904.

Copyright ©2022 BSH Home Appliances Corporation. All rights reserved. Bosch is a registered trademark of Robert Bosch GmbH.

Litho Date: 05/2022

30" Combination Wall Oven 27" Warming Drawer, HWD5051UC, Stainless Steel HBL5750UC



Features

Cooking mode	Microwave
Integrated Cleaning system	Self Clean
Interior Lights - primary cavity	1
Pull-out system	
Timer settings	Alarm, timer
Included accessories	3 x oven racks /lower, 1 x Broiler pan / lower, 1 x temperature probe /lower
Bake Element Wattages primary cavity	
Broil Element Wattages primary cavity	
Convection Element Wattages primary cavity	
Microwave Wattages	1200
Drawer wattage	

Technical Specification

UPC code	825225840312
Product color	Stainless steel
Alternative colors available	HBL5720UC, HBL5760UC
Energy source	
Watts	10200
Fuse protection	50
Volts	240/208
Frequency	60
Approval certificates	CSA
Power Cord Length	50
Plug type	fixed connection, no plug
Product packaging dimensions (HxWxD)	49 1/2" x 28 1/2" x 24"
Net weight	56 3/4" x 34" x 31" 250.000
Gross weight	287.000

Notes: All height, width and depth dimensions are shown in inches. *Please refer to installation instructions prior to making cutout. BSH reserves the absolute and unrestricted right to change product materials and specifications, at any time, without notice. Consult the product's installation instructions for final dimensional data and other details. Applicable product warranty can be found in a accompanying product literature or you may contact your account manager for further details.

For more information on our entire line of products, go to boschappliances.com or call 1-800-944-2904.
Copyright ©2022 BSH Home Appliances Corporation. All rights reserved. Bosch is a registered trademark of Robert Bosch GmbH.

Litho Date: 05/2022