

30" Single Wall Oven 27" Warming Drawer, HWD5051UC, Stainless Steel HBL5450UC



Features and Benefits

Key Features

- Large Capacity at 4.7 Cu.Ft.
- Fast Preheat Reduces Preheat Time to 7 Minutes
- Meat Probe Takes Guesswork out of Cooking
- Recipe Mode Provides 30 Pre-Programmed Auto Settings

Design

- Contemporary Stainless Steel Design
- ClearTouch® Glass Control
- Flush-to-Cabinet Design
- Retractable Controls for Sleek and Easy to Clean Design

Performance

- 14 Specialized Cooking Modes - Gourmet Cooking Made Easy
- Genuine European Convection
- Speed Convection Saves up to 30% Time
- Custom Cooking Modes: Pizza, Pie, Warm and Proof

Efficiency

- EcoClean™ 2-Hour Self-Clean Cycle

Convenience

- Amber Colored Full Text Display
- Timer with Cook Time and Delay Start Function
- Extra Large Door Window for Easy Monitoring of Cooking
- High Quality Self-cleaning Rack Supports
- Star-K certified
- Two Oven Lights to Better Monitor Cooking Progress

Capacity

- Recessed Broil Element for Increased Capacity and Safety

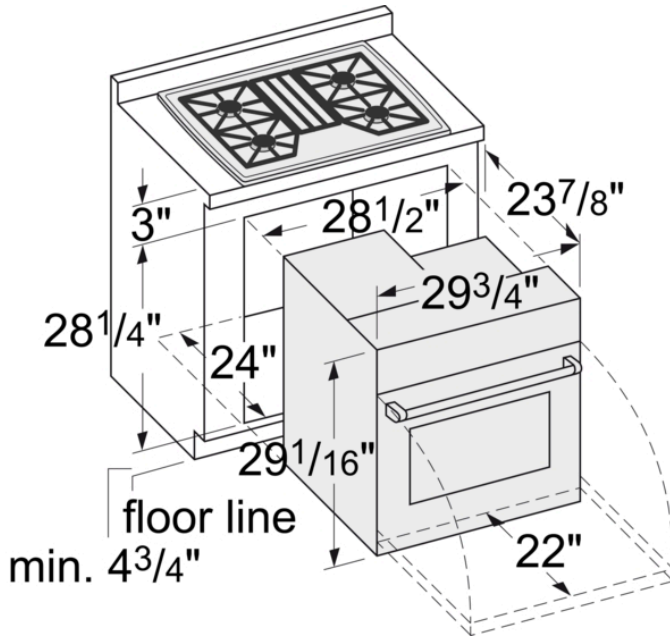
Notes: All height, width and depth dimensions are shown in inches. *Please refer to installation instructions prior to making cutout. BSH reserves the absolute and unrestricted right to change product materials and specifications, at any time, without notice. Consult the product's installation instructions for final dimensional data and other details. Applicable product warranty can be found in a accompanying product literature or you may contact your account manager for further details.

For more information on our entire line of products, go to boschappliances.com or call 1-800-944-2904.

Copyright ©2022 BSH Home Appliances Corporation. All rights reserved. Bosch is a registered trademark of Robert Bosch GmbH.

Litho Date: 05/2022

30" Single Wall Oven 27" Warming Drawer, HWD5051UC, Stainless Steel HBL5450UC



Features

Cooking mode	3D hot air, Convection Bake, Convection Broil, Conventional heat, Dehydrate, Dough proving setting, Half width variable grill, Hot Air, Hot air & bottom heat, Pizza setting, warming
Integrated Cleaning system	Self Clean
Interior Lights - primary cavity	2
Pull-out system	
Timer settings	Alarm, timer
Included accessories	3 x oven racks /upper, 1 x Broiler pan / upper, 1 x temperature probe /upper
Bake Element Wattages primary cavity	2000
Broil Element Wattages primary cavity	3600
Convection Element Wattages primary cavity	2000
Microwave Wattages	
Drawer wattage	

Technical Specification

UPC code	825225840237
Product color	Stainless steel
Alternative colors available	HBL5420UC, HBL5460UC
Energy source	Electric
Watts	7300
Fuse protection	30
Volts	240/208
Frequency	60
Approval certificates	CSA
Power Cord Length	50"
Plug type	fixed connection, no plug
Product packaging dimensions (HxWxD)	28 1/4" x 28 1/2" x 24"
Net weight	167.000
Gross weight	193.000

Notes: All height, width and depth dimensions are shown in inches. *Please refer to installation instructions prior to making cutout. BSH reserves the absolute and unrestricted right to change product materials and specifications, at any time, without notice. Consult the product's installation instructions for final dimensional data and other details. Applicable product warranty can be found in a accompanying product literature or you may contact your account manager for further details.

For more information on our entire line of products, go to boschappliances.com or call 1-800-944-2904.
Copyright ©2022 BSH Home Appliances Corporation. All rights reserved. Bosch is a registered trademark of Robert Bosch GmbH.

Litho Date: 05/2022