

36" Under-cabinet Hood, 280 CFM, DUH36152UC, Stainless Steel



Features and Benefits

Key Features

Design

- Brushed Stainless Steel Finish
- Two Incandescent Lights

Performance

- Three Power Levels
- Quickly and Quietly Clears the Air of Smoke and Odor

Efficiency

- 280 CFM Blower Included

Convenience

- Dishwasher-safe Mesh Filters
- Easy to Use Rotary Controls
- Top or Rear Venting Options
- Ducted or Non-ducted Options

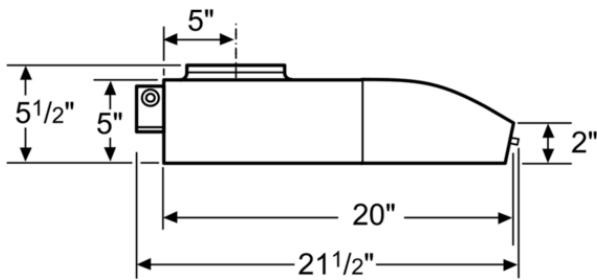
Notes: All height, width and depth dimensions are shown in inches. *Please refer to installation instructions prior to making cutout. BSH reserves the absolute and unrestricted right to change product materials and specifications, at any time, without notice. Consult the product's installation instructions for final dimensional data and other details. Applicable product warranty can be found in a accompanying product literature or you may contact your account manager for further details.

For more information on our entire line of products, go to boschappliances.com or call 1-800-944-2904.
Copyright ©2020 BSH Home Appliances Corporation. All rights reserved. Bosch is a registered trademark of Robert Bosch GmbH.

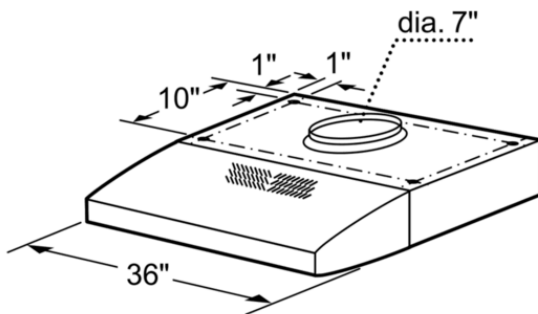
Litho Date: 10/2020



36" Under-cabinet Hood, 280 CFM, DUH36152UC, Stainless Steel



Dimensions in inches



Measurements in inches

Features

Operating Mode	Convertible: Ducted / Recirculating
Number of speed settings	3-stage
Delay Shut off modes	
Silence level (dBA)	
Required accessories	
Optional accessories	DHZ3602UC
Number of lights	2
Type of lamps used	Bulbs
Total power of the lamps (W)	
Grease filter material	Washable aluminium
Grease filter type	Multilayer cassette
Clean filter reminders	

Technical Specification

UPC code	825225846741
Material	Stainless steel
Watts (W)	
Current (A)	
Volts (V)	120
Frequency (Hz)	60
Approval certificates	CSA, UL
Power Cord Length	
Plug type	120V-3 prong
Overall appliance dimensions (HxWxD) (in)	4 3/4" / 4 3/4" x 36" x
Product packaging dimensions (HxWxD) (in)	12.99 x 23.99 x 35.99
Height of the chimney (in)	
Vertical rise height	
Required distance above cooktop/ranges	30"/30"
Net weight (lbs)	41.000
Gross weight (lbs)	48.000
Adjustable feet	
Motor location	Integrated motor in hood body
Maximum CFM	
Diameter of air duct (in) top	
Diameter of air duct (in) back	
Discharge direction	
No-return airflow flap	No

Notes: All height, width and depth dimensions are shown in inches. *Please refer to installation instructions prior to making cutout. BSH reserves the absolute and unrestricted right to change product materials and specifications, at any time, without notice. Consult the product's installation instructions for final dimensional data and other details. Applicable product warranty can be found in a accompanying product literature or you may contact your account manager for further details.

For more information on our entire line of products, go to boschappliances.com or call 1-800-944-2904.
Copyright ©2020 BSH Home Appliances Corporation. All rights reserved. Bosch is a registered trademark of Robert Bosch GmbH.

Litho Date: 10/2020

