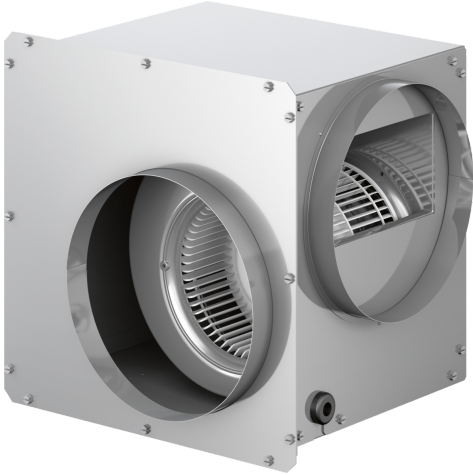


**800 Series, Integral blower
DHG602DUC**



**600 CFM Flexible Blower Can Mount To
Downdraft Or Be Used As An Inline
Blower, And Can Be Rotated To Exhaust
Downward Or To Sides**

- 600 CFM on High Speed
- Mounts Outside of the Downdraft, and Installs Outside the Home on a Wall or Roof Depending Upon the Application





**800 Series, Integral blower
DHG602DUC**

**600 CFM Flexible Blower Can Mount To
Downdraft Or Be Used As An Inline
Blower, And Can Be Rotated To Exhaust
Downward Or To Sides**

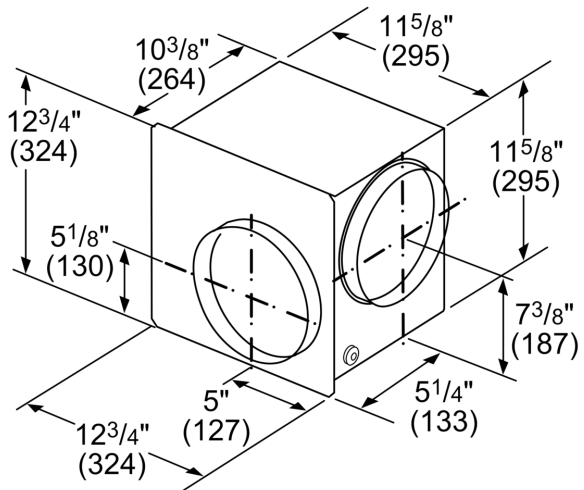
Design

- 600 CFM Flexible Blower Has 8" Round Duct Exhaust
- Some Blower Positions May Need Deeper Cabinets. See Installation Guide
- Additional Accessories May Be Required For Installation, See Manual

Performance

- Capable Up To 600 CFM In Performance

**800 Series, Integral blower
DHG602DUC**



measurements in inches and (mm)