

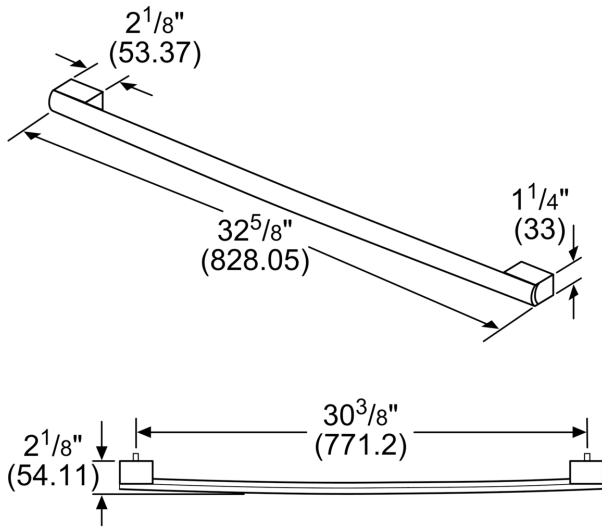
Series 8, handle kit
B36HNDL800



Product group: Accessory
Brand: Bosch
Product name / series name:
SKU: B36HNDL800
Internal article number: B36HNDL800
EAN code: 4242002927480
Product Packaging Dimensions (HxWxD): 2.36 x 36.61 x 4.05
Net Weight: 2.000 lbs
Gross Weight: 2.000 lbs
Quantity per packing unit:
Standard number of units per pallet: 48
UPC code: 825225921790



Series 8, handle kit
B36HNDL800



measurements in inches (mm)