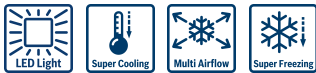


French Door Bottom Mount Refrigerator, Stainless Steel B22FT80SNS



The Standard-depth French Door Refrigerator Offers Large Storage Capacity and Keeps Your Produce Fresh Longer

- **LED lighting:** keep your groceries in perfect view.
- **Evenly circulate cool, fresh air to maintain consistent temperatures with MultiAirFlow™**
- **Super Freezing function: Protects frozen food from defrosting.**
- **LED Lighting:** clearly illuminates the contents of your unit in style.

UPC code: 825225908524
 Color: Stainless Steel
 Panel Ready: Not Possible
 Watts: 817 W
 Fuse protection: 15 A
 Volts: 120 V
 Frequency: 60 Hz
 Total annual energy consumption: 639.9 kWh/annum
 ENERGY STAR®: No
 Power Cord Length: 62"
 Plug Type: 120V-3 prong
 Required Cutout Size (HxWxD) (in): 69 3/8" x 33" x 29 1/8"
 Product Packaging Dimensions (HxWxD): 74.79 x 35.42 x 35.42
 Total Unit Gross Capacity - AHAM: 22.1 Cu Ft
 Refrigerator Gross Capacity: 15.7 Cu Ft
 Freezer Gross Capacity: 6 Cu Ft
 Net Weight: 268.000 lbs
 Gross Weight: 297.000 lbs



BORPLFTR20 Water filter

French Door Bottom Mount Refrigerator, Stainless Steel B22FT80SNS

The Standard-depth French Door Refrigerator Offers Large Storage Capacity and Keeps Your Produce Fresh Longer

Design

- Full-Width Glass Shelves With Metal Trim

Performance

- Deli Drawer
- Crisper Drawer
- Electronic Controls for Precise Temperature Management

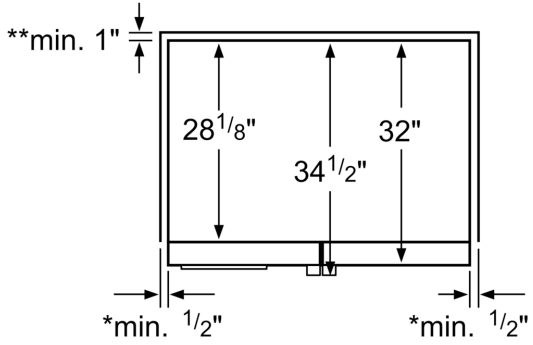
Convenience

- Door Open Alarm
- Automatic Ice Maker

Capacity

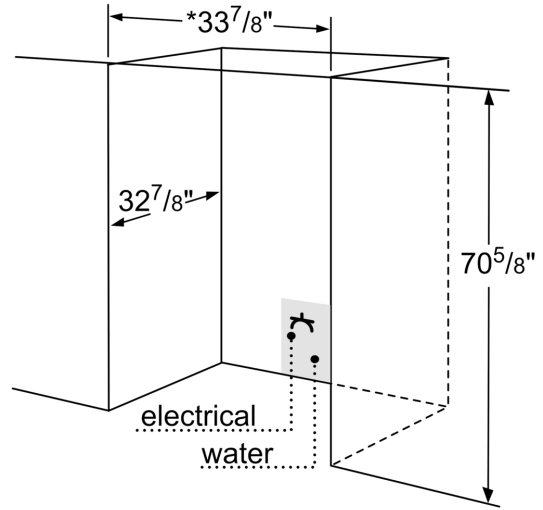
- 21.8 cu.ft Total Capacity
- 16.27 cu.ft. Refrigerator Capacity
- 21.9 cu.ft Total Capacity
- Gallon Door Bins
- Full Length Cantilever Racks for Ultimate Flexibility

**French Door Bottom Mount
Refrigerator, Stainless Steel
B22FT80SNS**



- * $\text{min. } \frac{1}{2}"$, $2\frac{1}{2}"$ on either side if next to wall.
- * If the appliance is placed next to a range, the lateral distance must be at least $\text{min. } 1"$.
- ** The clearance in the back must include the space of the water connection.

measurements in inches



- * If fixed wall/alcove, add 4" to this width (2.5" total space on each side for doors).

measurements in inches