

Series 6, French Door Bottom Mount Refrigerator, 36", Stainless Steel B22CT80SNS



This 72" Counter-depth French Door Refrigerator Installs Nearly Flush in All Major Cutouts and Features LED Lighting for Easier Viewing.

- **LED Lighting:** keep your groceries in perfect view.
- **True Counter-Depth:** sits flush with the countertop with hidden hinges.
- **Wide Gallon Door Bins:** provide extra storage for gallon sized containers on both doors.
- **Evenly circulate cool, fresh air to maintain consistent temperatures with MultiAirFlow™**

UPC code: 825225908937
 Color: Stainless Steel
 Panel Ready: Not Possible
 Watts: 817 W
 Fuse protection: 15 A
 Volts: 120 V
 Frequency: 60 Hz
 Total annual energy consumption: 633.3 kWh/annum
 ENERGY STAR®: No
 Power Cord Length: 62"
 Plug type: 120V-3 prong
 Required Cutout Size (HxWxD) (in): 72" x 36" x 24 5/8"
 Product Packaging Dimensions (HxWxD): 78.73 x 39.36 x 31.49
 Total Unit Gross Capacity - AHAM: 21.8 Cu Ft
 Refrigerator Gross Capacity: 16.3 Cu Ft
 Freezer Gross Capacity: 6 Cu Ft
 Net Weight: 325.000 lbs
 Gross Weight: 361.000 lbs



BORPLFTR20 Water filter

Series 6, French Door Bottom Mount Refrigerator, 36", Stainless Steel B22CT80SNS

This 72" Counter-depth French Door Refrigerator Installs Nearly Flush in All Major Cutouts and Features LED Lighting for Easier Viewing.

Design

- Hidden Hinges
- Full-Width Glass Shelves With Metal Trim

Performance

- Electronic Controls for Precise Temperature Management
- Holiday Mode
- Deli Drawer
- Crisper Drawer

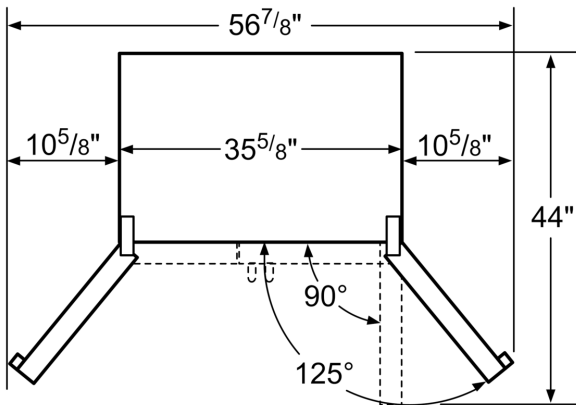
Convenience

- Door Open Alarm
- Automatic Ice Maker

Capacity

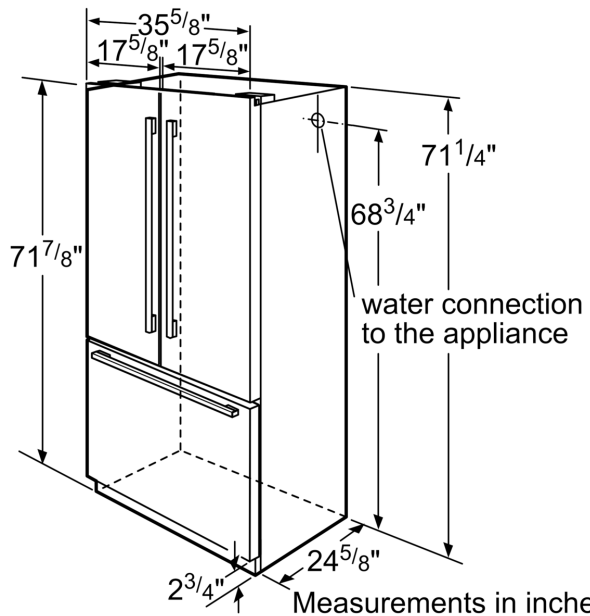
- 21.8 cu ft Total Capacity
- 16.3 cu ft Refrigerator Capacity
- 5.5 cu ft Freezer Capacity
- Gallon Door Bins
- Full Length Cantilever Racks for Ultimate Flexibility

Series 6, French Door Bottom Mount Refrigerator, 36", Stainless Steel B22CT80SNS

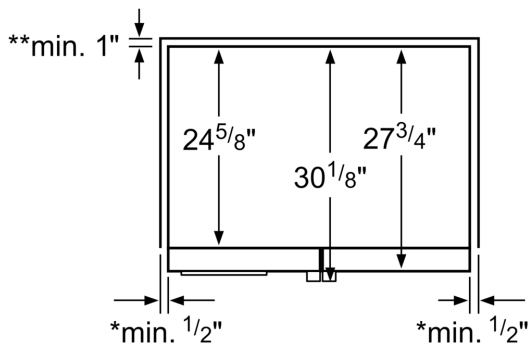


Drawers can be pulled out with door open 90°.
Drawers can be taken out with door completely open.

measurements in inches

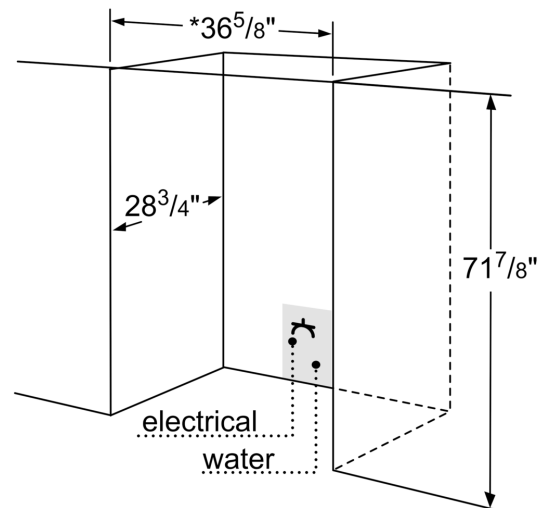


Measurements in inches



- **min. 1"
- * min. 1/2", 2 1/2" on either side if next to wall.
- * If the appliance is placed next to a range, the lateral distance must be at least min. 1".
- ** The rear clearance must include space for the water connection.

measurements in inches



- * If fixed wall/alcove, add 4" to this width (2.5" total space on each side for doors).

Measurements in inches