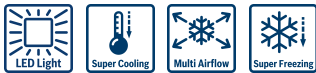


**French Door Bottom Mount Refrigerator, 36", White B22CT80SNP**



**This 72" Counter-depth French Door Refrigerator Installs Nearly Flush in All Major Cutouts and Features LED Lighting for Easier Viewing.**

- **LED Lighting:** keep your groceries in perfect view.
- **True Counter-Depth:** sits flush with the countertop with hidden hinges.
- **Evenly circulate cool, fresh air to maintain consistent temperatures with MultiAirFlow™**
- **Super Freezing function: Protects frozen food from defrosting.**

UPC code: ..... 825225908944  
 Color: .....White  
 Panel Ready: ..... Not Possible  
 Watts: ..... 817 W  
 Fuse protection: .....15 A  
 Volts: .....120 V  
 Frequency: ..... 60 Hz  
 Total annual energy consumption: .....633.3 kWh/annum  
 ENERGY STAR®: ..... No  
 Power Cord Length: .....62"  
 Plug type: ..... 120V-3 prong  
 Required Cutout Size (HxWxD) (in): .....72" x 36" x 24 5/8"  
 Product Packaging Dimensions (HxWxD): ..... 78.73 x 39.36 x 31.49  
 Total Unit Gross Capacity - AHAM: .....21.8 Cu Ft  
 Refrigerator Gross Capacity: .....16.3 Cu Ft  
 Freezer Gross Capacity: ..... 6 Cu Ft  
 Net Weight: ..... 325.000 lbs  
 Gross Weight: .....360.000 lbs



BORPLFTR20 Water filter

## **French Door Bottom Mount Refrigerator, 36", White B22CT80SNP**

**This 72" Counter-depth French Door Refrigerator Installs Nearly Flush in All Major Cutouts and Features LED Lighting for Easier Viewing.**

---

### **Design**

- Hidden Hinges
- Full-Width Glass Shelves With Metal Trim
- Black External Side Panels

### **Performance**

- Holiday Mode
- Deli Drawer
- Crisper Drawer
- Electronic Controls for Precise Temperature Management

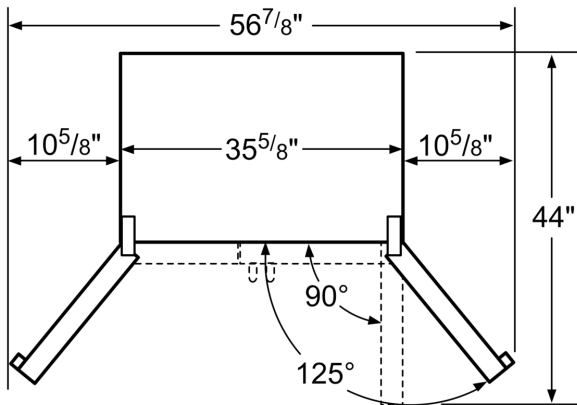
### **Convenience**

- Door Open Alarm
- Automatic Ice Maker

### **Capacity**

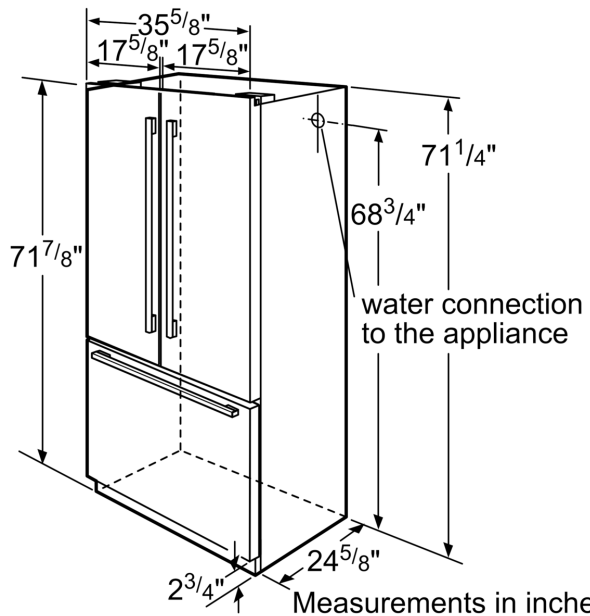
- 21.8 cu ft Total Capacity
- 16.3 cu ft Refrigerator Capacity
- 5.5 cu ft Freezer Capacity
- Gallon Door Bins
- Full Length Cantilever Racks for Ultimate Flexibility

**French Door Bottom Mount  
Refrigerator, 36", White  
B22CT80SNP**

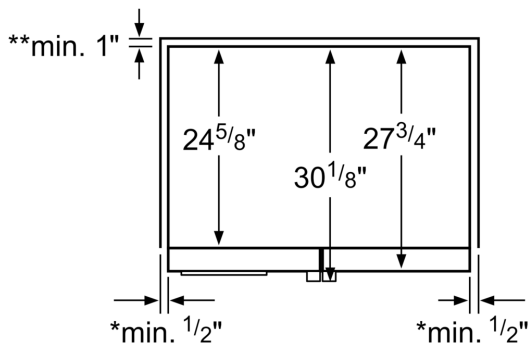


Drawers can be pulled out with door open 90°.  
Drawers can be taken out with door completely open.

measurements in inches

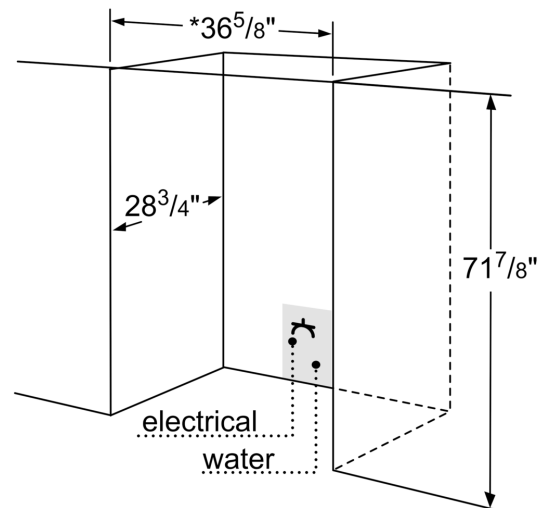


Measurements in inches



- \*\*min. 1"
- \* min. 1/2", 2 1/2" on either side if next to wall.
- \* If the appliance is placed next to a range, the lateral distance must be at least min. 1".
- \*\* The rear clearance must include space for the water connection.

measurements in inches



- \* If fixed wall/alcove, add 4" to this width (2.5" total space on each side for doors).

Measurements in inches