

**Series 4, condenser tumble dryer, 8 kg, White
WTN86204TH**



100% hygiene protection for your family's well-being

- **AutoDry:** gently dries laundry to precisely the degree of dryness you want.
- **Duo-Tronic Sensors** monitors moisture levels and temperature to reach desired levels of dryness and to prevent overheating
- **Sensitive Drying** system combines warm air currents and a gentle drum structure for dry clothes
- **Anti-Vibration Side Panels** reduce vibrations and ensure greater stability during the washing and spinning process.
- **Allergy Plus:** specially developed for the needs of allergy sufferers and sensitive skin.

- WTZ1110 Condenser drainage kit
 WTZ11400 Stacking kit with pull-out shelf
 WTZ20410 Stacking kit
 WTZPW20D Platform with pull-out, dryer, cubic

Built-in / Free-standing: Free-standing
 Removable top: No
 Door hinge: Right
 Color / Material body: White
 Length electrical supply cord: 145.0 cm
 Dimensions: 842x598x613 mm
 Net weight: 41.4 kg
 Drum volume: 112 l
 Connection Rating: 2600 W
 Fuse protection: 13 A
 Voltage: 220-240 V
 Frequency: 50 Hz
 Drying process: automatic
 Capacity cotton - NEW (2010/30/EC): 8.0 kg
 Energy efficiency rating: B
 Energy consumption electric dryer, full load - NEW (2010/30/EC) 4.63 kWh
 Standard cotton programme time at full load: 137 min
 Energy consumption electric dryer, partial load - NEW (2010/30/EC): 2.61 kWh
 Standard cotton programme time at partial load: 79 min
 Weighted annual energy consumption, electric dryer - NEW (2010/30/EC): 560.0 kWh/annum
 Power consumption in off-mode - NEW (2010/30/EC): 0.10 W
 Power consumption in left-on mode - NEW (2010/30/EC): 0.50 W
 Weighted programme time: 104 min
 Condensation efficiency class - NEW (2010/30/EC): B
 Average condensation efficiency full load (%): 88 %
 Average condensation efficiency partial load (%): 88 %
 Weighted condensation efficiency (%): 88 %



Series 4, condenser tumble dryer, 8 kg, White WTN86204TH

100% hygiene protection for your family's well-being

Technical Information

- Capacity: 8kg
- Dimensions (H x W x D): 84.2cm x 59.8cm x 59.9 cm
- 39cm porthole, 175° swing door
- Noise level: pleasantly quiet at 65dB(A)

Programmes

- Cottons Cupboard Dry EXtra, Cottons Cupboard Dry, Cottons Iron Dry, Sportswear, AllergyPlus, Mix Load, Timed Program Warm, Timed Programme Cold, Wool Finish, Downs Clothes, Quick 40min, Shirt 15min, Synthetics Iron Dry, Synthetics Cupboard Dry, Synthetics Cupboard Dry Extra

Features

- Anti-Vibration Side Panels reduce vibrations and ensure greater stability during the washing and spinning process.
- Sensitive Drying system combines warm air currents and a gentle drum structure for dry clothes
- Fine-adjustment of drying intensity to customise your preferred level of dryness
- Anti-crease cycle 120min at the end of programme
- Touch Control buttons: Low heat, less ironing, programme length, start/pause, fine-tuning of drying aim, 24h end time delay

Display Screen & Alerts

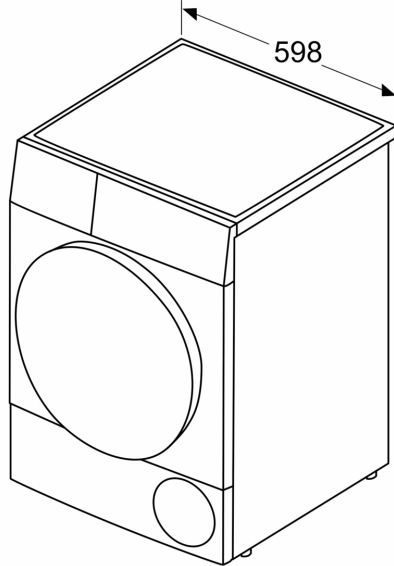
- LED Display for remaining time and 24 Hr end time delay, programme status indication, special functions
- Buzzer at the end of the wash programme

Safety

- Child-proof lock
- Duo-Tronic Senors monitors moisture levels and temperature to reach desired levels of dryness and to prevent overheating

**Series 4, condenser tumble dryer, 8
kg, White
WTN86204TH**

Measurements in mm



Measurements in mm

