

**Series 6, washing machine, front loader, 9 kg, 1400 rpm  
WGA244A0TH**



WMZ2200 Floor securing component

- **i-DOS:** Automatically measures the precise amount of detergent and water needed.
- **Anti Stain Plus:** removes up to 16 kinds of stubborn stains without pre-treatment.
- **Automatic programmes:** adjust the wash for the fabric type and degree of soiling.
- **EcoSilence Drive™ friction-free motor minimises heat and wear for long-lasting performance, quiet operation and perfect wash results.**
- **AllergyPlus:** specially developed for the needs of allergy sufferers and sensitive skin.

Built-in / Free-standing: ..... Free-standing  
 Door hinge: ..... Left  
 Color / Material body: ..... White  
 Length electrical supply cord: ..... 160 cm  
 Height of the appliance: ..... 848 mm  
 Dimensions of the product: ..... 848x598x588 mm  
 Wheels: ..... No  
 Net weight: ..... 71.1 kg  
 Drum volume: ..... 65 l  
 Door Frame: ..... Silver-inox, black-grey  
 Noise level washing: ..... 55 dB(A) re 1pW  
 Connection Rating: ..... 2300 W  
 Fuse protection: ..... 10 A  
 Voltage: ..... 220-240 V  
 Frequency: ..... 50 Hz  
 Energy Star Qualified: ..... No  
 Cord Included: ..... Yes  
 Plug type: ..... Thai plug  
 Length of supply hose (in): ..... 59.05 "  
 Dimensions of the packed product: ..... 34.25 x 25.59 x 26.77  
 Net weight: ..... 157.000 lbs  
 Gross weight: ..... 159.000 lbs  
 Dimensions of the packed product (HxWxD): ..... 870x650x680 mm  
 Gross weight: ..... 72.1 kg  
 Connection Rating: ..... 2300 W  
 Fuse protection: ..... 10 A  
 Voltage: ..... 220-240 V  
 Frequency: ..... 50 Hz  
 Energy consumption: ..... 0.62 kWh  
 Water consumption: ..... 44.0 l  
 Water protection system: ..... Multiple water protection  
 Maximum spin speed: ..... 1400 rpm  
 Spin speed options: ..... Variable  
 Digital countdown indicator: ..... Yes  
 Drying progress indicator: ..... LED-display, LED  
 Maximum capacity in kg (EU 2017/1369): ..... 9.0 kg



## **Series 6, washing machine, front loader, 9 kg, 1400 rpm WGA244A0TH**

---

- iQdrive: brushless motor for higher energy savings and quieter operation

### **Energy and Power and Consumption**

- Capacity: 9 kg
- spin-drying efficiency class: B
- Max. spin speed: 1400 rpm
- Noise level washing in standard 60° cotton programme at full load in dB (A) re 1 pW: 55
- Noise level spinning at standard 60°C cotton programme at full loading in dB (A) re 1 pW: 73

### **Programmes**

#### **options**

- VarioPerfect: time- or energy optimized programs with perfect wash performance
- TouchControl buttons: Prewash, Reduced Ironing, Ready in, Temperature, varioSpeed / SpeedPerfect, start/pause with reload function, stain selection, Spin speed reduction/Rinse hold

#### **comfort and safety**

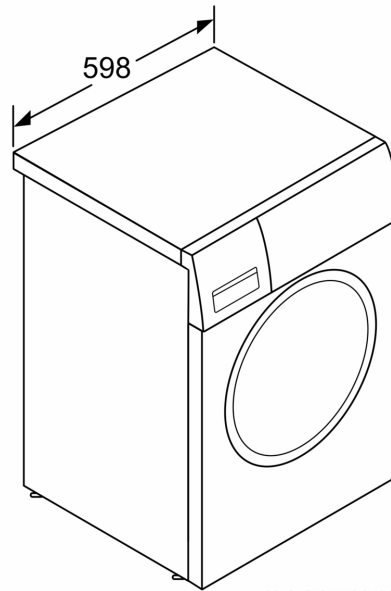
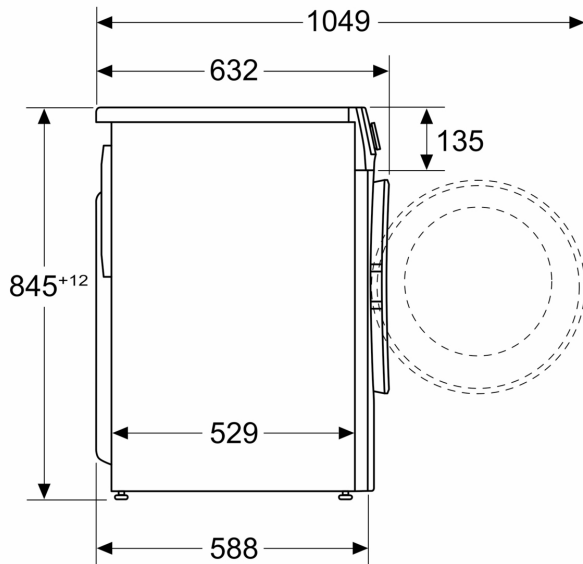
- Reload function: Be flexible in adding laundry items even after start of the wash cycle.
- WaveDrum
- Water protection system: Multiple Water Protection with magnetic valve to minimise risk of leakage
- Large display for programme progress indication, temperature, spin speed, remaining time, 24 h end time delay and load recommendation
- Fully electronic control panel for all wash and special programs
- AntiVibration Design: more stability and quietness
- 3D AquaSpa wash system with cascade for faster water penetration
- waterPerfect: Automatically optimises water usage for every load
- Loading introduction
- Foam detection system to remove excessive foam
- Unbalanced load detection to minimise unnecessary vibration, noise and friction
- Overdosage indication
- Child-proof lock
- Buzzer
- Metal door closing hook
- magnet with pull-open latch

#### **Technical Information**

- Dimensions (H x W x D): 84.8 x 59.8 x 58.8 cm
- slide-under

**Series 6, washing machine, front  
loader, 9 kg, 1400 rpm  
WGA244A0TH**

Measurements in mm



measurements in mm