

Serie | 6, built-in microwave, Stainless steel
HMT75M655K



A great partner for the kitchen, the built-in compact microwave defrosts, heats and cooks helping you prepare food in the kitchen.

- **AutoPilot 7:** every dish is a perfect success thanks to 7 pre-set automatic programmes.
- **Frameless design:** easy installation, harmonious integration into the kitchen furniture and easy to clean.
- **Side-opening door:** convenient opening thanks to left-hinged door.

Technical Data

Type of micro-wave oven :	MW only
Type of control :	Electronic
Color / Material Front :	Stainless steel
Dimensions of the product (mm) :	382 x 594 x 317
Cavity dimensions (mm) :	201.0 x 308.0 x 282.0
Length electrical supply cord (cm) :	130
Net weight (kg) :	16.443
Gross weight (kg) :	18.0
Maximum micro-wave power (W) :	800
Number of Power Levels :	5
Turntable :	Yes
Heating type :	Microwave
Cavity material :	Stainless steel
Door opening :	Button
Clock :	Yes
Main colour of product :	Stainless steel
Height of the product (mm) :	382
Width of the product (mm) :	594
Depth of the product :	317
Maximum micro-wave power (W) :	800
Connection Rating (W) :	1270
Current (A) :	10
Voltage (V) :	220-230
Frequency (Hz) :	50
Plug type :	Thai plug
Color / Material Front :	Stainless steel
Approval certificates :	CE
Required cutout/niche size for installation (in) :	x x
Appliance Dimensions (h x w x d) (in) :	x x
Dimensions of the packed product (in) :	16.92 x 15.15 x 25.19
Net weight (lbs) :	36
Gross weight (lbs) :	40



Serie | 6, built-in microwave, Stainless steel HMT75M655K

A great partner for the kitchen, the built-in compact microwave defrosts, heats and cooks helping you prepare food in the kitchen.

Heating Modes

- 5 power levels
- Cavity volume: 20 l

Design

- Rotary Control
- Side opening door, hinged left
- Stainless steel cavity
- Electronic control

Key Functions

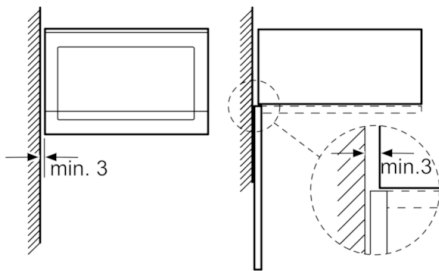
- 3 weight automatic cooking programmes
- 4 defrost programs
- 1 memory setting
- 25.5 cm glass turntable

Dimensions

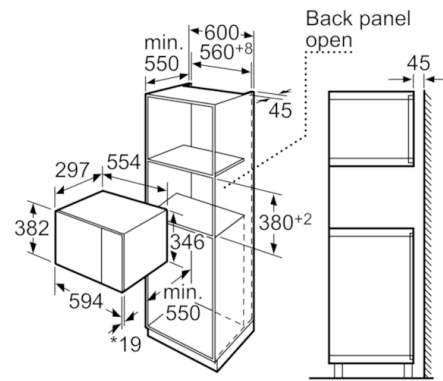
- Appliance dimension (hxwxd): 382 mm x 594 mm x 317 mm
- Length of mains cable: 130 cm
- Connected load: 1,270 W

Serie | 6, built-in microwave, Stainless steel HMT75M655K

Microwave,
corner installation

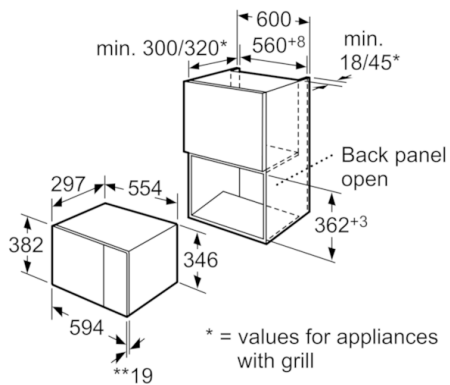


Measurements in mm



* 20 mm for metal fascias

measurements in mm



** 20 mm for metal fascias

measurements in mm