

**Series 6, built-in oven, 60 x 60 cm,
Stainless steel
HBT578FS1A**



1 x enamel baking tray, 2 x combination grid, 1 x universal pan, 2 x universal pan, slim size

HEZ327000 Pizza stone, HEZ32WA00 Wireless food thermometer, HEZ530000 Half tray, HEZ531010 Baking tray, non-stick ceramic coated, HEZ532010 Universal pan, non-stick ceramic coated, HEZ538000 1fold telescopic rail, level independent, HEZ617000 Pizza pan, enamelled, HEZ629070 Air Fry & Grill tray, HEZ631070 Baking tray, enamelled, HEZ632070 Multipurpose pan, enamelled, HEZ633001 Lid for professional pan, enamelled, HEZ633070 Professional pan with grid, enamelled, HEZ634000 Baking and roasting grid, HEZ636000 Glass pan, HEZ638000 Full ext rails, level independent, HEZ660050 Cover Strip, HEZ664000 Baking and roasting grid, steam, HEZ915003 Glass roasting dish, 5,4 L

**The built-in oven with meatprobe and
AutoPilot: automatically prepares your
dishes to the point of doneness you like.**

- **Roast thermometer:** measures the optimal core temperature of the roast.
- **pop-out controls:** for an easy to clean front.
- **Pyrolytic self-cleaning:** less cleaning effort thanks to automatic self-cleaning.

Gross weight: 42.6 kg
 Built-in / Free-standing: Built-in
 Integrated Cleaning system: Pyrolytic+Hydrolytic
 Required niche size for installation (HxWxD): 585-595 x 560-568 x 550 mm
 Dimensions: 595x594x548 mm
 Dimensions of the packed product (HxWxD): 675 x 660 x 690 mm
 Control Panel Material: Stainless steel
 Door Material: Glass
 Net weight: 40.5 kg
 Usable volume of cavity: 71 l
 Cooking method: Defrost, Full width grill, Hotair gentle, Hot Air, Conventional heat, Pizza setting, low temperature cooking, Bottom heat, Hot air grilling, warming
 Length electrical supply cord: 120 cm
 Pull-out system: 1-level
 Included accessories: 1 x enamel baking tray, 2 x combination grid, 1 x universal pan, 2 x universal pan, slim size
 Broil Element Wattages cavity 1: 2800 W
 Convection Element Wattages cavity 1: 2200 W
 Energy efficiency rating: A
 Energy consumption per cycle conventional (2010/30/EC): 0.99 kWh/cycle
 Energy consumption per cycle forced air convection (2010/30/EC): 81 kWh/cycle
 Energy efficiency index (2010/30/EC): 95.3 %
 Connection Rating: 3600 W
 Fuse protection: 16 A
 Voltage: 220-240 V
 Frequency: 60; 50 Hz
 Plug type: no plug
 Energy input: Electric
 Required cutout/niche size for installation (in): x
 Dimensions of the packed product: 26.57 x 25.98 x 27.16
 Net weight: 89.000 lbs
 Gross weight: 94.000 lbs



**Series 6, built-in oven, 60 x 60 cm,
Stainless steel
HBT578FS1A**

**The built-in oven with meatprobe and
AutoPilot: automatically prepares your
dishes to the point of doneness you like.**

Heating Modes

- Oven with 10 heating methods:
- Defrost setting
- Full width grill Hot air gentle Hot air Top/bottom heat Pizza setting
Soft steaming Bottom heat Hot air grilling Hold warm

Design

- Rotary Control, round, Pop-out controls knobs
- Bar handle
- Cavity inner surface: enamel anthracite
- Halogen interior lighting, Switch for oven illumination

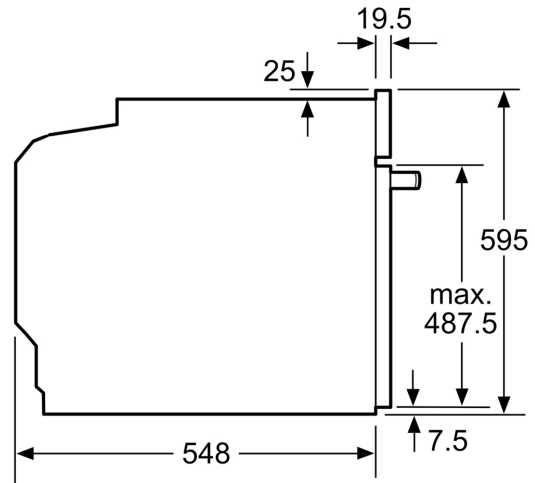
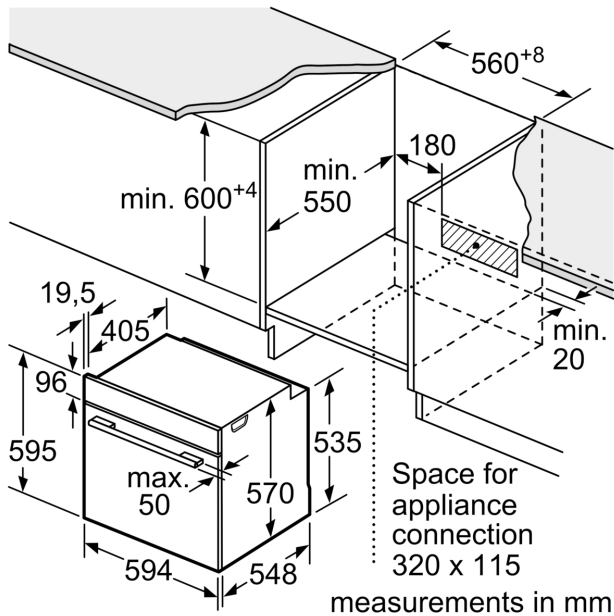
Comfort

- Cavity volume: 71 l
- Maximum window temperature 30 °C
- Temperature range 30 °C - 275 °C
- single point meat probe
- Quadruple glass door panel
- Pyrolytic self-cleaning function
- Safety functions: Automatic door lock during pyrolysis
- Child lock Automatic switch off Residual heat indicator
- 30 PC
- Integral cooling fan
- Electronic functions: Temperature proposal, Optical temperature control, automatic start, automatic programs, Sabbath setting, Meat probe

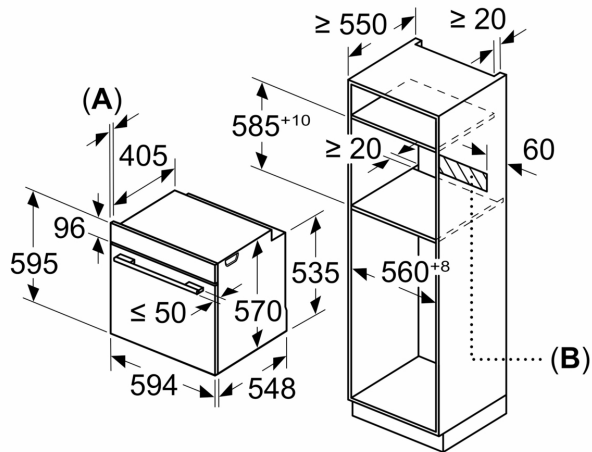
Technical information

- Appliance dimension (hxwxd): 595 mm x 594 mm x 548 mm
- Required niche size for installation (HxWxD mm): 585 mm - 595 mm x 560 mm - 568 mm x 550 mm
- Connected load: 3600 W
- Plug type: no plug
- Length of mains cable: 120 cm

**Series 6, built-in oven, 60 x 60 cm,
Stainless steel
HBT578FS1A**

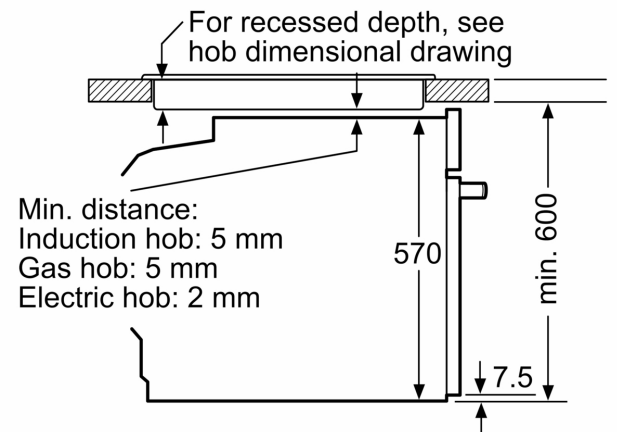


Measurements in mm



A: 19.5 mm
B: Space for appliance connection 320 x 115 mm

Installation with a hob.



measurements in mm