

**Series 8, 60 x 60 cm, Black  
HBG7764B1**



1 x enamel baking tray, 1 x combination grid, 1 x universal pan, 1 x air fry & grill tray

HEZ327000 Pizza stone  
HEZ32WA00 Wireless food thermometer

**The built-in oven with Digital Control Ring and TFT-touchdisplay, Assist function for meals, Air Fry, PerfectBake Plus, PerfectRoast Plus, Home Connect for control via the App.**

- **Digital Control Ring:** the simple and innovative way to select oven settings.
- **TFT Touch Display Plus:** control with an innovative Digital Control Ring and enlarged TFT touchscreen
- **Automatic Switch-off:** cooking process automatically stops as soon as the dish is done.
- **PerfectBake Plus:** regulates settings and tells you exactly when to remove dishes from the oven.
- **PerfectRoast Plus:** knows exactly when your roast is done.

Gross weight: ..... 40.4 kg  
 Built-in / Free-standing: ..... Built-in  
 Integrated Cleaning system: ..... Pyrolytic+Hydrolytic  
 Required niche size for installation (HxWxD): ....585-595 x 560-568 x 550 mm  
 Dimensions: ..... 595x594x548 mm  
 Dimensions of the packed product (HxWxD): .....670x670x680 mm  
 Control Panel Material: ..... Glass  
 Door Material: ..... Glass  
 Net weight: .....37.8 kg  
 Usable volume of cavity: ..... 71 l  
 Cooking method: .. 4D hot air, Defrost, Air fry, Full width grill, Hotair gentle, Half width grill, Conventional heat, Conventional heat gentle, Pizza setting, low temperature cooking, Bottom heat, Hot air grilling, pre-heating, warming  
 Length electrical supply cord: ..... 120 cm  
 Pull-out system: ..... Accessory  
 Included accessories: 1 x enamel baking tray, 1 x combination grid, 1 x universal pan, 1 x air fry & grill tray  
 Broil Element Wattages cavity 1: .....2800 W  
 Convection Element Wattages cavity 1: .....2200 W  
 Energy efficiency rating: .....A+  
 Energy consumption per cycle conventional (2010/30/EC): .....0.87 kWh/cycle  
 Energy consumption per cycle forced air convection (2010/30/EC):69 kWh/cycle  
 Energy efficiency index (2010/30/EC): .....81.2 %  
 Connection Rating: ..... 3600 W  
 Fuse protection: .....16 A  
 Voltage: ..... 220-240 V  
 Frequency: ..... 50; 60 Hz  
 Plug type: ..... GARDY plug w/ earthing  
 Energy input: .....Electric  
 Required cutout/niche size for installation (in): .....x  
 Dimensions of the packed product: ..... 26.37 x 26.37 x 26.77  
 Net weight: .....83.000 lbs  
 Gross weight: ..... 89.000 lbs



## Series 8, 60 x 60 cm, Black HBG7764B1

### The built-in oven with Digital Control Ring and TFT-touchdisplay, Assist function for meals, Air Fry, PerfectBake Plus, PerfectRoast Plus, Home Connect for control via the App.

#### Heating Functions

- Oven with 14 heating methods: 4D hot air, Top/bottom heat, Hot air grilling, Full width grill, Half width grill, Pizza setting, Bottom heat, Soft steaming, Defrost setting, Plate warming, Hold warm, Hotair gentle, Conventional heat gentle, Air fry
- Heating methods only via Home Connect App: let rest, preheating
- Temperature range 30 °C - 300 °C
- Cavity volume: 71 l
- Ripped cavity Shelf support rails, smooth

#### Hook-in racks / rails

- Number of shelf levels: 5 PC
- Large capacity oven with shelf supports, pyrolytic proof

#### Design

- Touch control
- Digital Control Ring
- Cavity inner surface: enamel anthracite
- Extra large capacity oven

#### Cleaning:

- Pyrolytic self-cleaning function
- Cleaning aid
- Full glass inner door

#### Comfort

- Oven Assistant with Voice Control
- Electronic clock with start / stop function
- Temperature proposal
- Actual temperature display
- Optical temperature control
- Meat probe
- Drop down door, soft closing, soft opening
- Supporting systems: Dish categories
- Air Fry Function
- Rapid heating-up
- LED light, Switch for oven illumination
- Integral cooling fan
- HomeConnect ready on WLAN
- 4D hot air: even heat distribution on any level, also simultaneously

#### Accessory:

- 1 x universal pan, 1 x air fry & grill tray, 1 x enamel baking tray, 1 x combination grid

#### Environment and Safety:

- Maximum window temperature 30° C
- Low door temperature during pyrolytic cleaning
- Quadruple glass door panel glazed CoolTouch door
- Safety functions: Automatic door lock during pyrolysis

- Child lock
- Automatic switch off
- Residual heat indicator
- start button
- door contact switch

#### Technical information

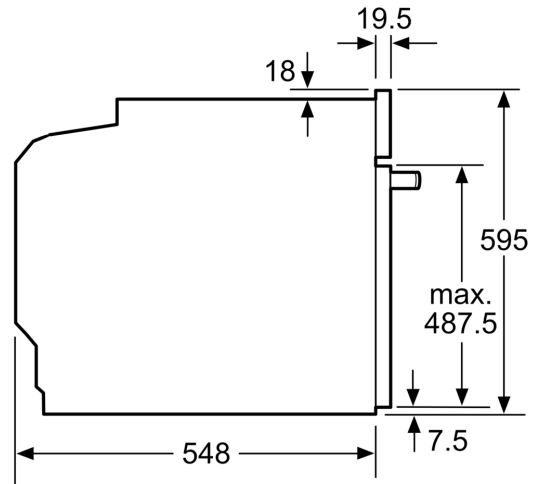
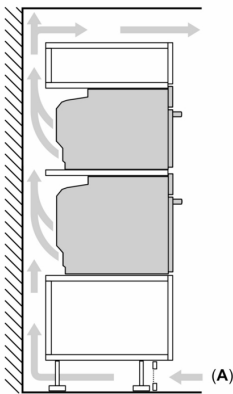
- Length of mains cable: 120 cm
- Nominal voltage: 220 - 240 V
- Connected load: 3600 W
- Energy efficiency rating (acc. EU Nr. 65/2014): A+(at a range of energy efficiency classes from A+++ to D)
- Energy consumption per cycle in conventional mode: 0.87 kWh
- Energy consumption per cycle in fan-forced convection mode: 0.69 kWh
- Number of cavities: 1
- Heat source: electrical
- Cavity volume: 71 l

#### Dimensions:

- Appliance dimension (h x w x d): 595 mm x 594 mm x 548 mm
- Required niche size for installation (H x W x D mm): 585 mm - 595 mm x 560 mm - 568 mm x 550 mm
- "Please reference the built-in dimensions provided in the installation drawing"

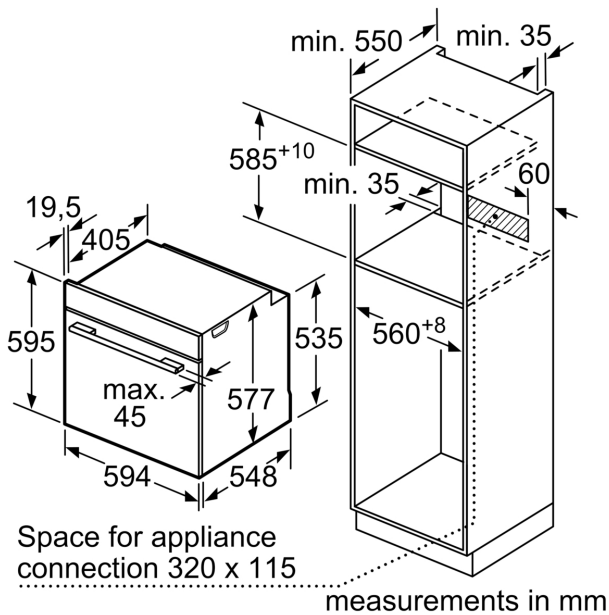
**Series 8, 60 x 60 cm, Black  
HBG7764B1**

Installing two appliances on top of each other  
other  
Air exchange



A: Air inlet  $\geq 200 \text{ cm}^2$

measurements in mm



If the appliance will be installed underneath a hob, the following worktop thicknesses (including substructure if necessary) must be taken into account.

Hob type	min. worktop thickness	
	fitted	flush
Induction hob	37 mm	38 mm
Full surface Induction hob	47 mm	48 mm
Gas hob	30 mm	38 mm
Electric hob	27 mm	30 mm

