

**Series 8, built-in oven, 60 x 60 cm,  
Stainless steel  
HBG656RS1B**



**Included accessories**

2 x combination grid  
1 x universal pan

- **EcoClean Direct:** almost no cleaning is necessary thanks to a special coating of the rear- and side wall and the roof that automatically absorbs grime and regeneration programm.
- **Flap door with SoftOpen and SoftClose:** the oven door opens and closes especially gently and quietly.
- **TFT touchscreen control:** easy-to-use thanks to the control ring with full text and images.
- **DishAssist:** automatic setting of the optimal type of heat, temperature and time for countless dishes.
- **4D Hot Air:** even heat distribution for perfect results – on any level.

**Technical Data**

Gross weight : 38.7 kg

Color / Material Front : Stainless steel

Built-in / Free-standing : Built-in

Integrated Cleaning system : catalytic all sides, Hydrolytic

Min. required niche size for installation (HxWxD) : 585-595 x 560-568 x 550 mm

Dimensions : 595 x 594 x 548 mm

Dimensions of the packed product (HxWxD) : 670 x 680 x 670 mm

Control Panel Material : Stainless steel

Door Material : Glass

Net weight : 36.3 kg

Usable volume of cavity : 71 Q

Cooking method : , 4D hot air, Bottom heat, Defrost setting, Full width grill, Half width grill, Hot Air-Eco, Hot air grilling, Pizza setting, pre-heating, Soft steaming, Top/bottom heat, warming

Number of interior lights : 1

Length electrical supply cord : 120 cm

Interior Lights - cavity 1 : 1

Pull-out system : 1-level

Clock function : Alarm, Off, On

Included accessories : 2 x combination grid, 1 x universal pan

Broil Element Wattages cavity 1 : 2800 W

Convection Element Wattages cavity 1 : 2200 W

Energy efficiency rating : A+

Energy consumption per cycle conventional (2010/30/EC) : 0.87 kWh/cycle

Energy consumption per cycle forced air convection (2010/30/EC) : 0.69 kWh/cycle

Energy efficiency index (2010/30/EC) : 81.2 %

Connection Rating : 3600 W

Fuse protection : 16 A

Voltage : 220-240 V

Frequency : 60; 50 Hz

Plug type : no plug

Color / Material Front : Stainless steel

Energy input : Electric

Required cutout/niche size for installation (in) : x x

Dimensions of the packed product : 26.37 x 26.37 x 26.77

Net weight : 80.000 lbs

Gross weight : 85.000 lbs

Length electrical supply cord : 120 cm

Net weight : 36.3 kg

Included accessories : 2 x combination grid, 1 x universal pan



## **Series 8, built-in oven, 60 x 60 cm, Stainless steel**

### **HBG656RS1B**

---

#### **Heating Functions**

- Oven with 13 heating methods: 4D hot air Hot Air-Eco Top/bottom heat Conventional heat ECO Hot air grilling Full width grill Half width grill Pizza setting Bottom heat Soft steaming Defrost setting Plate warming Hold warm

#### **Design**

- TFT color display
- Drop down door, soft closing, soft opening
- Halogen interior lighting, Switch for oven illumination

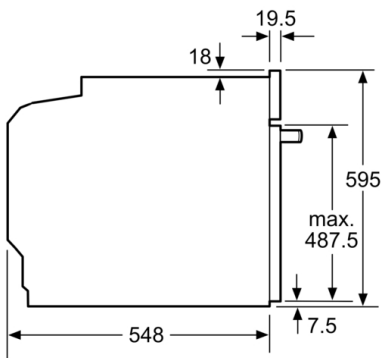
#### **Comfort**

- Cavity volume: 71 l
- baking sensor multipoint temperature probe
- Integral cooling fan
- Ecolyse features: ceiling, back panel, side liners
- Safety functions: Child lock Automatic switch off Residual heat indicator start button door contact switch
- Electronic clock with start / stop function

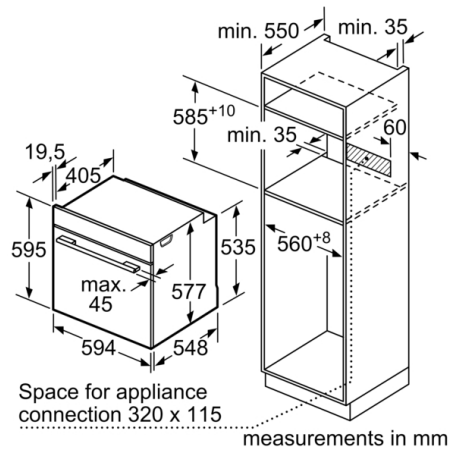
#### **Technical information**

- Appliance dimension (hxwxh): 595 mm x 594 mm x 548 mm
- Required niche size for installation (HxWxD mm): 585 mm - 595 mm x 560 mm - 568 mm x 550 mm
- Connected load: 3600 W
- Length of mains cable: 120 cm

**Series 8, built-in oven, 60 x 60 cm, Stainless steel**  
**HBG656RS1B**



measurements in mm

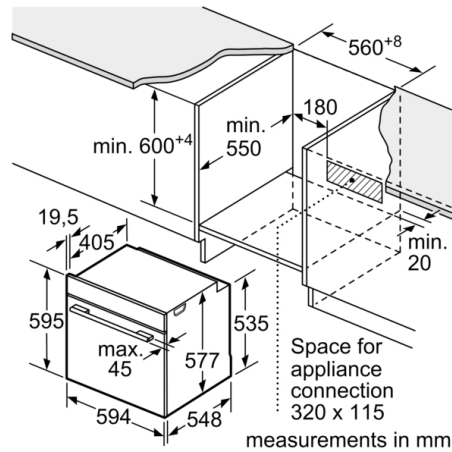


Space for appliance connection 320 x 115

measurements in mm

If the appliance will be installed underneath a hob, the following worktop thicknesses (including substructure if necessary) must be taken into account.

Hob type	min. worktop thickness	
	fitted	flush
Induction hob	37 mm	38 mm
Full surface Induction hob	47 mm	48 mm
Gas hob	30 mm	38 mm
Electric hob	27 mm	30 mm



Space for appliance connection 320 x 115

measurements in mm