

## Series 6, Stainless steel HBG5575S0A



### Included accessories

- 1 x grill tray
- 2 x combination grid
- 1 x universal pan

## The built-in oven with meatprobe and AutoPilot: automatically prepares your dishes to the point of doneness you like.

- **pop-out controls:** for an easy to clean front.
- **LCD display control, white:** easy-to-use thanks to direct access to additional functions.
- **EcoClean Direct:** almost no cleaning is necessary thanks to a special coating of the rear- and side wall and the roof that automatically absorbs grime and regeneration programm.
- **1-fold telescopic rail, level independent:** can be placed in any baking level.
- **AutoPilot 10:** every dish is a perfect success thanks to 10 pre-set automatic programmes.

### Technical Data

- Gross weight : 37.4 kg
- Color / Material Front : Stainless steel
- Built-in / Free-standing : Built-in
- Integrated Cleaning system : catalytic all sides, Hydrolytic
- Min. required niche size for installation (HxWxD) : 585-595 x 560-568 x 550 mm
- Dimensions : 595 x 594 x 548 mm
- Dimensions of the packed product (HxWxD) : 680 x 690 x 660 mm
- Control Panel Material : Stainless steel
- Door Material : Glass
- Net weight : 35.2 kg
- Usable volume of cavity : 71 Q
- Cooking method : Bottom heat, Full width grill, Hot Air, Hotair gentle, Hot air grilling, Pizza setting, Top/bottom heat
- First cavity material : Other
- Number of interior lights : 1
- Length electrical supply cord : 120 cm
- Interior Lights - cavity 1 : 1
- Pull-out system : Clip rails
- Clock function : Alarm, Off, On
- Included accessories : 1 x grill tray, 2 x combination grid, 1 x universal pan
- Broil Element Wattages cavity 1 : 2700 W
- Convection Element Wattages cavity 1 : 2200 W
- Energy efficiency rating : A
- Energy consumption per cycle conventional (2010/30/EC) : 0.97 kWh/cycle
- Energy consumption per cycle forced air convection (2010/30/EC) : 0.81 kWh/cycle
- Energy efficiency index (2010/30/EC) : 95.3 %
- Connection Rating : 3400 W
- Fuse protection : 16 A
- Voltage : 220-240 V
- Frequency : 60; 50 Hz
- Plug type : no plug
- Color / Material Front : Stainless steel
- Energy input : Electric
- Required cutout/niche size for installation (in) : x x
- Dimensions of the packed product : 26.77 x 25.98 x 27.16
- Net weight : 78.000 lbs
- Gross weight : 82.000 lbs
- Length electrical supply cord : 120 cm
- Net weight : 35.2 kg
- Included accessories : 1 x grill tray, 2 x combination grid, 1 x universal pan



## Series 6, Stainless steel HBG5575S0A

**The built-in oven with meatprobe and  
AutoPilot: automatically prepares your  
dishes to the point of doneness you like.**

---

### Heating Modes

- Oven with 7 heating methods:
  - Top/bottom heat
  - Full width grill Hot air gentle Hot air Pizza setting Bottom heat
  - Hot air grilling

### Design

- Retractable, round Knobs
- Triple glass door panel
- Cavity inner surface: enamel grey
- Halogen interior lighting

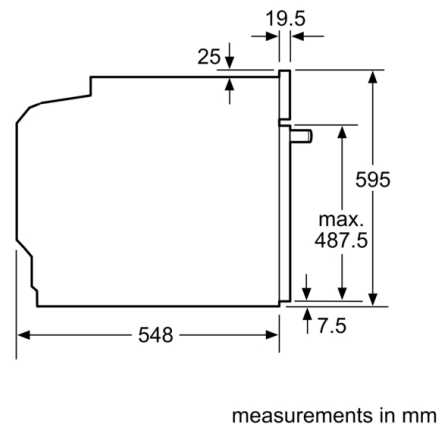
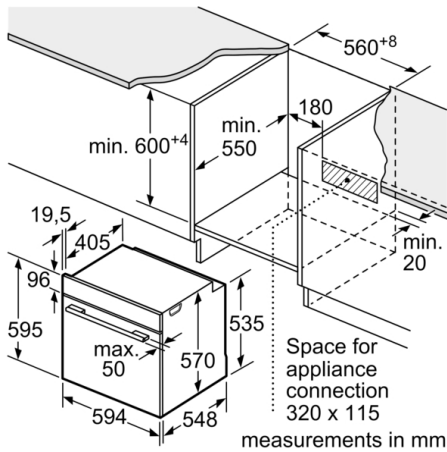
### Comfort

- Cavity volume: 71 l
- Maximum window temperature 40 °C
- Integral cooling fan
- Ecolyse features: ceiling, back panel, side liners
- Safety functions: Child lock  
Residual heat indicator
- 10 automatic programs
- Electronic functions: Optical temperature control, automatic start, automatic programs, Meat probe
- Pull-out system: Detend function

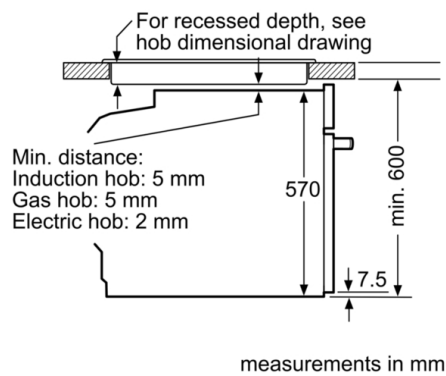
### Technical information

- Appliance dimension (hxwxd): 595 mm x 594 mm x 548 mm
- Required niche size for installation (HxWxD mm): 585 mm - 595 mm x 560 mm - 568 mm x 550 mm
- Connected load: 3400 W
- Plug type: no plug
- Length of mains cable: 120 cm

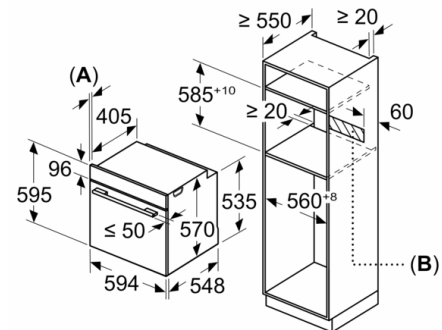
**Series 6, Stainless steel**  
**HBG5575S0A**



Installation with a hob.



Measurements in mm



**A:** 19,5 mm  
**B:** Space for appliance connection 320 x 115 mm