

**Series 2, built-in oven, 60 x 60 cm,
Stainless steel
HBF113BR0A**



1 x combination grid, 1 x universal pan

- HEZ317000 Pizza pan, enamelled
- HEZ327000 Pizza stone
- HEZ431002 Baking tray, enamelled
- HEZ625071 Grill tray, anthracite
- HEZ915003 Glass roasting dish, 5,4 L

The built-in oven with 3D hot air: achieve perfect baking and roasting results on up to three levels simultaneously.

Gross weight: 34.3 kg
 Built-in / Free-standing: Built-in
 Integrated Cleaning system: No
 Required niche size for installation (HxWxD):575-597 x 560-568 x 550 mm
 Dimensions: 595x594x548 mm
 Dimensions of the packed product (HxWxD): 680 x 655 x 680 mm
 Control Panel Material: Stainless steel
 Door Material: Glass
 Net weight:31.9 kg
 Usable volume of cavity: 66 l
 Cooking method: ... Hotair gentle, Hot Air, Conventional heat, Hot air grilling, Full width variable grill
 Length electrical supply cord: 146.0 cm
 Interior Lights - cavity 1: 1
 Pull-out system: Accessory
 Included accessories: 1 x combination grid, 1 x universal pan
 Broil Element Wattages cavity 1:2800 W
 Energy efficiency rating:A
 Energy consumption per cycle conventional (2010/30/EC):0.98 kWh/cycle
 Energy consumption per cycle forced air convection (2010/30/EC):79 kWh/cycle
 Energy efficiency index (2010/30/EC): 95.2 %
 Connection Rating: 3300 W
 Fuse protection:16 A
 Voltage: 220-240 V
 Frequency: 60; 50 Hz
 Plug type:no plug
 Energy input:Electric
 Required cutout/niche size for installation (in):x
 Dimensions of the packed product: 26.77 x 25.78 x 26.77
 Net weight: 70.000 lbs
 Gross weight: 76.000 lbs
 Length electrical supply cord: 146.0 cm
 Net weight:31.9 kg



**Series 2, built-in oven, 60 x 60 cm,
Stainless steel
HBF113BR0A**

The built-in oven with 3D hot air: achieve perfect baking and roasting results on up to three levels simultaneously.

Heating Functions

- Oven with 5 heating methods:
- Hot air gentle
- Hot air Top/bottom heat Hot air grilling Full width variable grill

Design

- Rotary Control, round knobs

Bottom oven door

- Cavity inner surface: enamel anthracite
- Halogen interior lighting

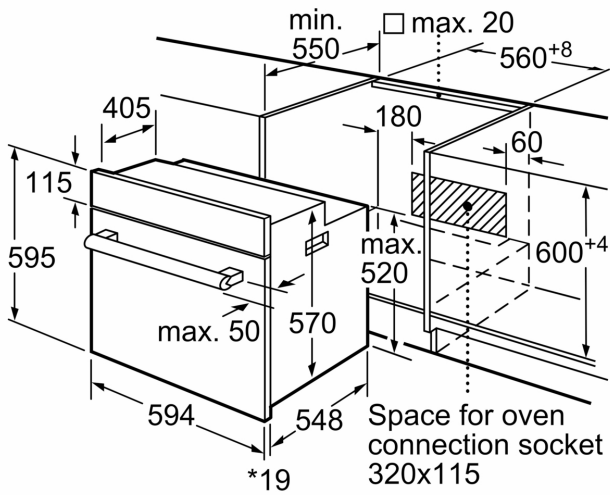
Comfort

- Cavity volume: 66 l
- Maximum window temperature 45 °C
- Integral cooling fan
- Temperature range 50 °C - 275 °C

Technical information

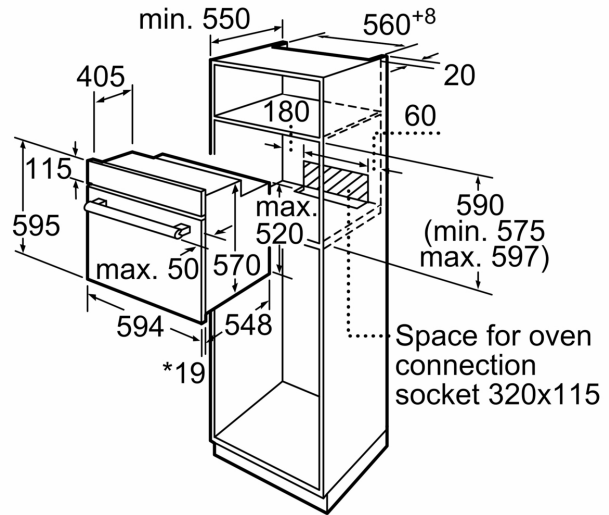
- Appliance dimension (hxwxd): 595 mm x 594 mm x 548 mm
- Required niche size for installation (HxWxD mm): 575 mm - 597 mm x 560 mm - 568 mm x 550 mm
- Plug type: no plug
- Length of mains cable: 146 cm

**Series 2, built-in oven, 60 x 60 cm,
Stainless steel
HBF113BR0A**



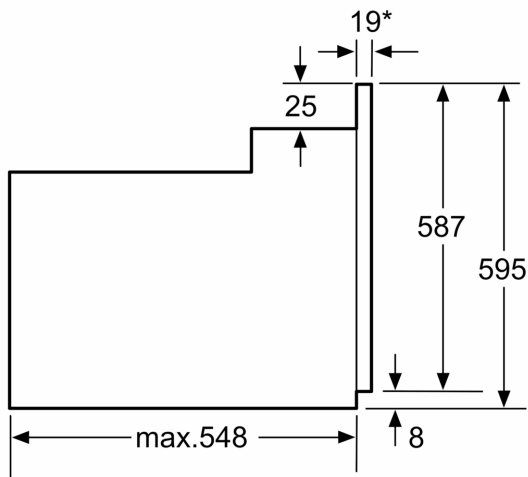
* 20 mm for metal fascias

measurements in mm



* 20 mm for metal fascias

measurements in mm



* 20 mm for metal fascias

Dimensions in mm