

**Series 6, built-in oven, 60 x 60 cm,
Stainless steel
HBA5570S0B**



2 x combination grid, 1 x universal pan

HEZ634000 Baking and roasting grid, HEZ638000 Full ext rails, level independent, HEZ660050 Cover Strip, HEZ664000 Baking and roasting grid, steam, HEZ915003 Glass roasting dish, 5,4 L, HEZ327000 Pizza stone, HEZ32WA00 Wireless food thermometer, HEZ531010 Baking tray, non-stick ceramic coated, HEZ532010 Universal pan, non-stick ceramic coated, HEZ538000 1fold telescopic rail, level independent, HEZ617000 Pizza pan, enamelled, HEZ629070 Air Fry & Grill tray, HEZ631070 Baking tray, enamelled, HEZ632070 Multipurpose pan, enamelled

**The built-in oven with AutoPilot:
automatically prepares perfect dishes.**

- **3D Hotair:** even heat distribution for perfect results on up to three levels.
- **AutoPilot 10:** every dish is a perfect success thanks to 10 pre-set automatic programmes.
- **LCD display control, white:** easy-to-use thanks to direct access to additional functions.
- **pop-out controls:** for an easy to clean front.
- **Eco Clean Direct:** easy cleaning thanks to a coating that breaks down grease while you bake.

Gross weight: 36.3 kg
 Built-in / Free-standing: Built-in
 Integrated Cleaning system: EcoClean Direct program, Hydrolytic
 Required niche size for installation (HxWxD): 585-595 x 560-568 x 550 mm
 Dimensions: 595x594x548 mm
 Dimensions of the packed product (HxWxD): 675x660x690 mm
 Control Panel Material: Stainless steel
 Door Material: Glass
 Net weight: 34.1 kg
 Usable volume of cavity: 71 l
 Cooking method: Full width grill, Hotair gentle, Hot Air, Conventional heat, Pizza setting, Bottom heat, Hot air grilling
 Length electrical supply cord: 120 cm
 Pull-out system: ... varioClip rails - easy mounting of rails on any level
 Included accessories: 2 x combination grid, 1 x universal pan
 Broil Element Wattages cavity 1: 2700 W
 Convection Element Wattages cavity 1: 1600 W
 Energy efficiency rating: A
 Energy consumption per cycle conventional (2010/30/EC): 0.97 kWh/cycle
 Energy consumption per cycle forced air convection (2010/30/EQ): 81 kWh/cycle
 Energy efficiency index (2010/30/EC): 95.3 %
 Connection Rating: 2990 W
 Fuse protection: 13 A
 Voltage: 220-240 V
 Frequency: 60; 50 Hz
 Plug type: no plug
 Energy input: Electric
 Required cutout/niche size for installation (in): x
 Dimensions of the packed product: 26.57 x 25.98 x 27.16
 Net weight: 75.000 lbs
 Gross weight: 80.000 lbs



Series 6, built-in oven, 60 x 60 cm, Stainless steel HBA5570S0B

The built-in oven with AutoPilot: automatically prepares perfect dishes.

Heating Functions

- Oven with 7 heating methods:
- Hot air
- Top/bottom heat
- Hot air grilling
- Full width grill
- Pizza setting
- Bottom heat
- Temperature range 50 °C - 275 °C
- Cavity volume: 71 l

Hook-in racks / rails

- Number of shelf levels: 5 PC
- 1 Clip-on rail, Detend function

Design

- Rotary Control, Pop-out controls
- Cavity inner surface: enamel anthracite
- Extra large capacity oven

Cleaning:

- CeramiClean liner - sides: coating of ceiling, back panel, side liners
- ecoLyse program

Comfort

- Electronic clock with start / stop function
- automatic start
- Optical temperature control
- automatic programs, 10
- Bar handle
- Supporting systems: Programs
- Rapid heating-up
- Halogen interior lighting
- Integral cooling fan

Accessory:

- 1 x universal pan, 2 x combination grid

Environment and Safety:

- Maximum window temperature 40° C
- Triple glass door panel glazed CoolTouch door
- Safety functions: Child lock
- Residual heat indicator

Technical information

- Length of mains cable: 120 cm
- Nominal voltage: 220 - 240 V
- Connected load: 2990 W
- Energy efficiency rating (acc. EU Nr. 65/2014): A (at a range of energy efficiency classes from A+++ to D)
- Energy consumption per cycle in conventional mode: 0.97 kWh
- Energy consumption per cycle in fan-forced convection mode: 0.81

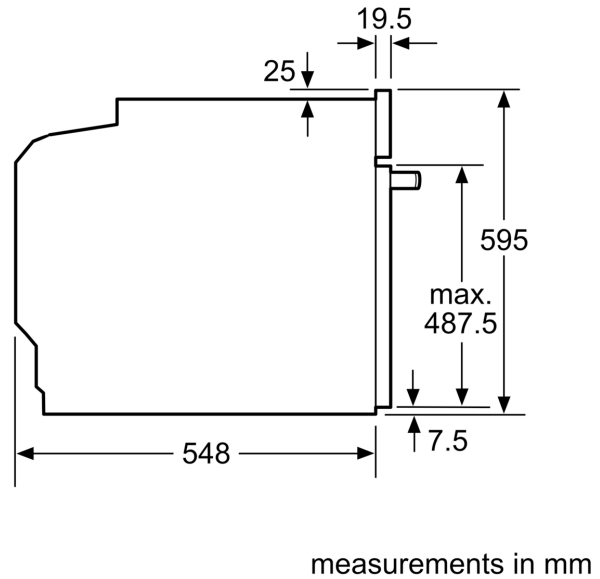
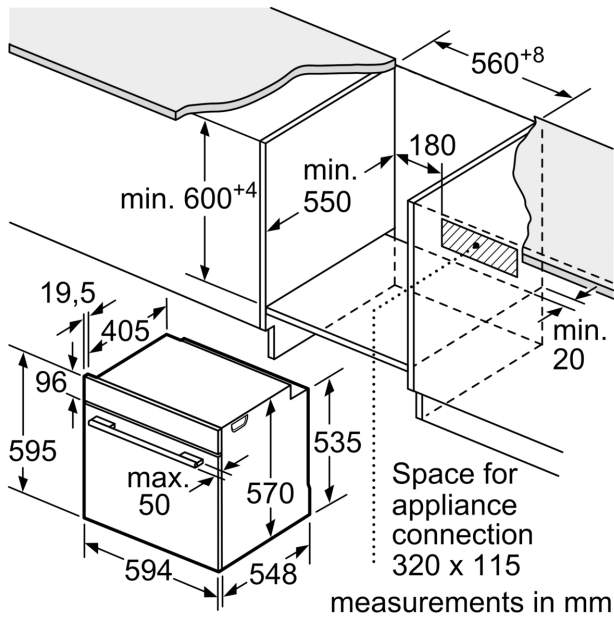
kWh

- Number of cavities: 1
- Heat source: electrical
- Cavity volume: 71 l

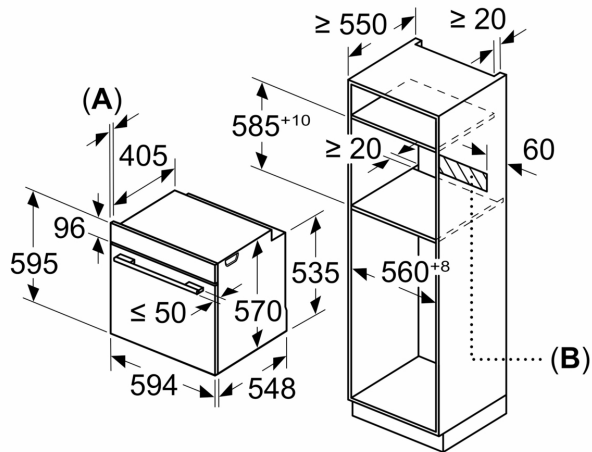
Dimensions:

- Appliance dimension (hxwxh): 595 mm x 594 mm x 548 mm
- Required niche size for installation (HxWxD mm): 585 mm - 595 mm x 560 mm - 568 mm x 550 mm
- "Please reference the built-in dimensions provided in the installation drawing"

**Series 6, built-in oven, 60 x 60 cm,
Stainless steel
HBA5570S0B**



Measurements in mm



A: 19.5 mm
B: Space for appliance connection 320 x 115 mm

Installation with a hob.

