

Series 4, telescopic cooker hood, 60 cm, Silver metallic DFS067A51



DSZ4682 Handle strip white
 DSZ4686 Handle strip black

- **Extra quiet:** maximum extractor performance with minimal noise.
- **EcoSilence Drive:** the powerful, energy-saving drive for hoods.

Typology: Pull-out
 Length electrical supply cord: 175 cm
 Required niche size for installation (HxWxD): ... 385mm x 524.0mm x 290mm mm
 Net weight: 10.9 kg
 Type of control: Electronic
 Number of speed settings:
 Maximum output air extraction: 399 m³/h
 Boost position output recirculating: 628 m³/h
 Maximum output recirculating air: 358 m³/h
 Boost position air extraction: 728 m³/h
 Number of lights: 2
 Noise level: 53 dB(A) re 1pW
 Diameter of air outlet: 120 / 150 mm
 Grease filter material: Washable stainless steel
 Odour filter: No
 Operating Mode: Convertible
 Type of lamps used: LED
 Total power of the lamps: 4 W
 Grease filter type: Kasette
 Clean filter reminders: No
 Connection Rating: 144 W
 Fuse protection: 10 A
 Voltage: 220-240 V
 Frequency: 50; 60 Hz
 Plug type: Gardy plug w/ earthing
 Installation typology: Built-in
 Material body: zinc plated
 Plug type: Gardy plug w/ earthing
 Dimensions of the product, with chimney (if exists) (in): x x
 Dimensions of the packed product: 15.74 x 25.19 x 19.29
 Net weight: 24.000 lbs
 Gross weight: 28.000 lbs
 Motor location: Integrated motor in hood body
 No-return airflow flap: Yes
 Length electrical supply cord: 175 cm
 Dimensions of the product, with chimney (if exists): ... 400x600x290 mm
 Dimensions of the packed product (HxWxD): 400x640x490 mm
 Net weight: 10.9 kg
 Gross weight: 12.6 kg

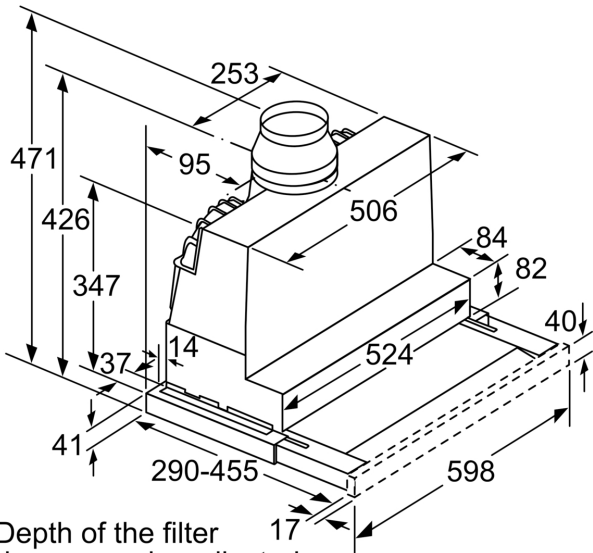


Series 4, telescopic cooker hood, 60 cm, Silver metallic DFS067A51

- 60 cm Slimline hood
- Appliance colour: silver metallic
- Install into a 60cm wide wall cupboard
- Suitable for ducted or re-circulated extraction
- Recirc. kit or clean air kit
- Push button controls with Electronic display
- Electronic controls via Push button controls with Electronic display
- Electronic controls
- Push button controls
- Supplied with 2 dishwasher safe metal grease filters cassette w. stainl.steel frame
- Push button controls for extractor speeds and light
- 3 speeds plus intensive setting
- Automatic intensive revert after 6 min
- Automatic run on for 10 min.
- 2 x 1.5W LED
- Colour Temperature: 3500 K
- Light Intensity: 294 lux
- Metal grease filter, dishwasher safe
- Extraction rate exhaust air according to EN 61591 max. 728 m³/h
- Noise min./max. Normal Level: 41/53 dB*
- BLDC for Ventilation
- Telescopic comfort installat.
- Appliance dimensions (HxWxD): 426 x 598 x 290 mm
- Built-in dimensions (HxWxD): 385 x 524 x 290 mm
- Diameter pipe Ø 150 mm (Ø 120 mm enclosed)
- with one-way flap
- Electrical cable length 1.75 m
- Energy Efficiency Class: A*
- Average Energy Consumption: 37.9 kWh/year*
- Blower Efficiency Class: B*
- Lighting Efficiency Class: A*
- Grease Filtering Efficiency Class: B*
- Power rating: 144 W

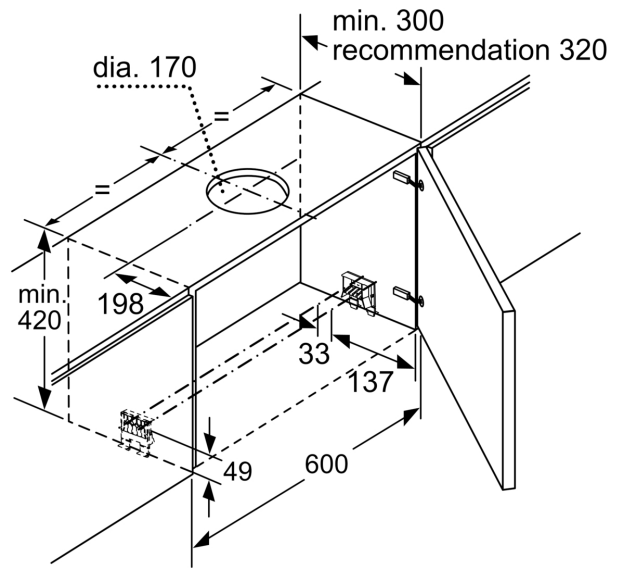
* In accordance with the EU-Regulation No 65/2014

Series 4, telescopic cooker hood, 60 cm, Silver metallic
DFS067A51

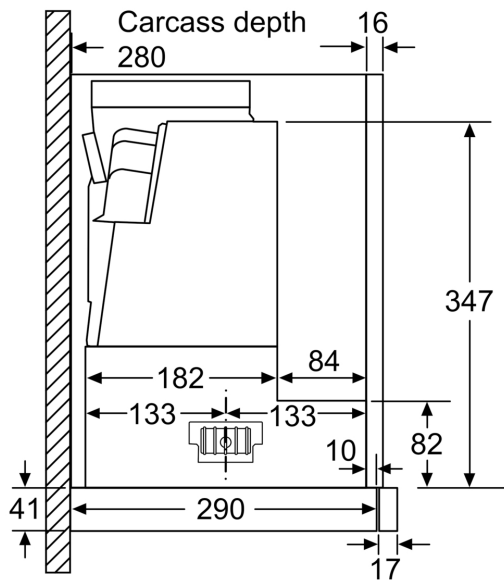


Depth of the filter drawer can be adjusted by up to 29 mm

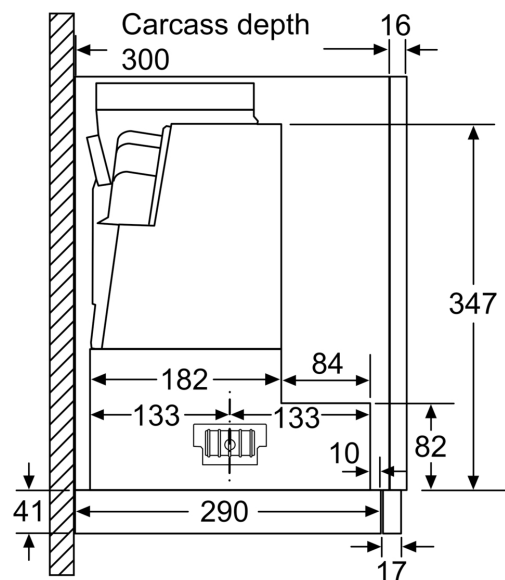
measurements in mm



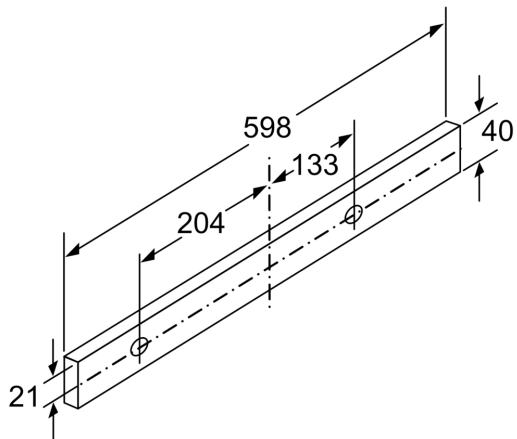
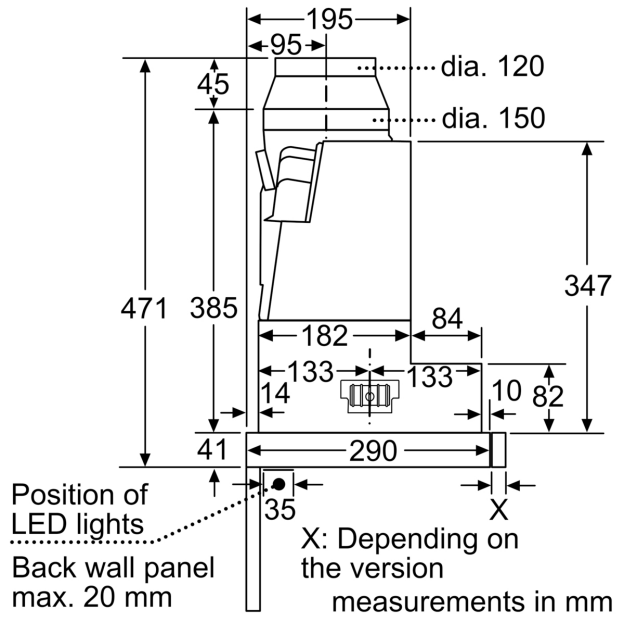
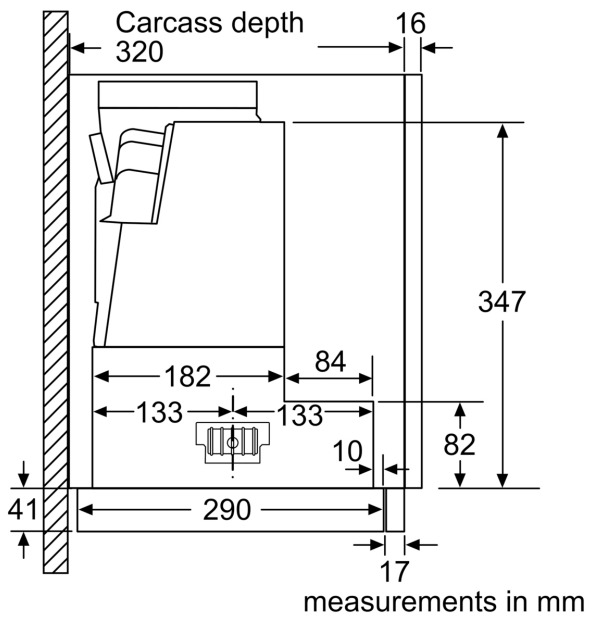
measurements in mm



measurements in mm



measurements in mm



measurements in mm