

**Series 8, Heat pump tumble dryer, 9 kg
WTX87MH0SG**



The AutoClean dryer with Smart Dry is the smartest way to do your laundry, as everything is done fully automatically.

- **Home Connect:** home appliances with smart connectivity for convenient and perfect results everytime
- **AllergyPlus:** specially developed for the needs of allergy sufferers and sensitive skin.
- Anti-Vibration Side Panels reduce vibrations and ensure greater stability during the washing and spinning process.
- AutoClean technology with no door filter to skip fluff cleaning regularly keeping top efficiency.
- **AllergyPlus:** specially developed for the needs of allergy sufferers and sensitive skin.
- **Smart Dry:** automatically selects the best drying program based on the last washing cycle.

Technical Data

Built-in / Free-standing : Free-standing
 Removable top : No
 Door hinge : Right
 Color / Material body : White
 Length electrical supply cord : 145.0 cm
 Height of removable worktop : 0 mm
 Dimensions of the product : 842 x 598 x 613 mm
 Net weight : 55.1 kg
 Drum volume : 112 l
 Fluorinated greenhouse gases : No
 Type of refrigerant : R290
 Hermetically sealed equipment : Yes
 Quantity of fluorinated gases : 0.149 kg
 The quantity expressed in CO2 equivalent : 0.000 t
 Connection Rating : 800 W
 Fuse protection : 10 A
 Voltage : 220-240 V
 Frequency : 50 Hz
 Approval certificates : CE, VDE
 Drying process : automatic
 Capacity cotton - NEW (2010/30/EC) : 9.0 kg
 Energy efficiency rating : A++
 Energy consumption electric dryer, full load - NEW (2010/30/EC) : 2.10 kWh
 Standard cotton programme time at full load : 171 min
 Energy consumption electric dryer, partial load - NEW (2010/30/EC) : 1.24 kWh
 Standard cotton programme time at partial load : 109 min
 Weighted annual energy consumption, electric dryer - NEW (2010/30/EC) : 259.0 kWh/annum
 Power consumption in off-mode - NEW (2010/30/EC) : 0.10 W
 Power consumption in left-on mode - NEW (2010/30/EC) : 0.10 W
 Duration of the left-on mode - NEW (2012/30/EC) : 30 min
 Weighted programme time : 136 min
 Condensation efficiency class - NEW (2010/30/EC) : A
 Average condensation efficiency full load (%) : 91 %
 Average condensation efficiency partial load (%) : 91 %
 Weighted condensation efficiency (%) : 91 %



Series 8, Heat pump tumble dryer, 9 kg WTX87MH0SG

The AutoClean dryer with Smart Dry is the smartest way to do your laundry, as everything is done fully automatically.

Technical Information

- Capacity: 9 kg
- Dimensions (H x W x D): 84.2 cm x 59.8 cm x 61.3 cm
- 39 cm porthole, 170 ° swing door
- Operating noise for drying: 64dBA

Programmes

- Cottons, Synthetics, Mix, Delicates, Wool Finish, Timed Program Warm, Smart Dry, AllergyPlus, Super Quick 40min, Towels, Sportswear, Down Wear, Duvet, Shirts/Blouses

Features

- Home Connect: Remote Monitoring and Control, Energy Management, Remote Diagnostics, Smart Dry
- SelfCleaning Condenser automatically cleans itself and keeps the dryer running at peak efficiency at all times
- Sensitive Drying system combines warm air currents and a gentle drum structure for dry clothes
- Fine-adjustment of drying intensity to customise your preferred level of dryness
- Anti-crease cycle 60,min or 120min at the end of programme
- Touch Control Buttons: Low heat, less ironing, programme length, start/pause, fine-tuning of drying aim, 24h end time delay
- Anti-Vibration Side Panels reduce vibrations and ensure greater stability during the washing and spinning process.

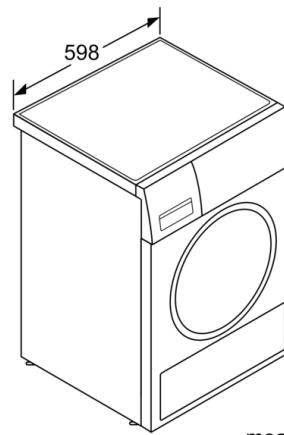
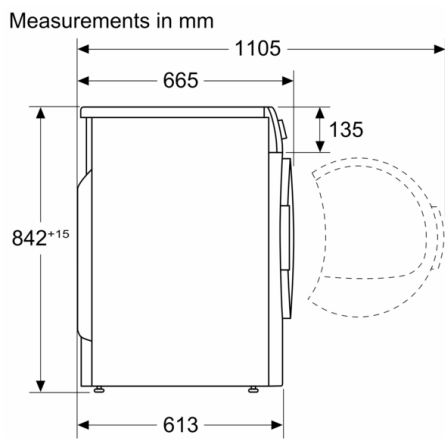
Display Screen & Alerts

- LED Display for remaining time and 24 Hr end time delay, programme status indication, special functions
- Buzzer at the end of the wash programme

Safety

- Child-proof lock
- Duo-Tronic Sensors monitors moisture levels and temperature to reach desired levels of dryness and to prevent overheating

**Series 8, Heat pump tumble dryer, 9 kg
WTX87MH0SG**



measurements in mm