

**Serie | 8, Heat pump tumble dryer, 9 kg  
WTW87561SG**



**Optional accessories**

WTZ11400 :  
WTZ20410 :

**Energy Efficient, perfect drying results  
everytime**

- Automatic condenser cleaning guarantees a high drying performance with constantly low energy consumption of A++.
- **AutoDry:** gently dries laundry to precisely the degree of dryness you want.
- Sensitive Drying system combines warm air currents and a gentle drum structure for dry clothes
- **ComfortControl:** easy to operate thanks to the intuitive user interface.
- Anti-Vibration Side Panels reduce vibrations and ensure greater stability during the washing and spinning process.

**Technical Data**

Built-in / Free-standing :	Free-standing
Removable top :	No
Door hinge :	Right
Color / Material body :	White
Length electrical supply cord (cm) :	145.0
Height of removable worktop (mm) :	842
Dimensions of the product (mm) :	842 x 598 x 599
Net weight (kg) :	52.890
Drum volume (l) :	112
Fluorinated greenhouse gases :	No
Type of refrigerant :	R290
Hermetically sealed equipment :	Yes
Quantity of fluorinated gases (kg) :	0.149
The quantity expressed in CO2 equivalent (t) :	0.000
Connection Rating (W) :	1000
Current (A) :	10
Voltage (V) :	220-240
Frequency (Hz) :	50
Approval certificates :	CE, VDE
Drying process :	automatic
Capacity cotton (kg) - NEW (2010/30/EC) :	9.0
:	Cotton cupboard dry
Energy efficiency rating :	A++
Energy consumption electric dryer, full load - NEW (2010/30/EC) (kWh) :	2.06
Standard cotton programme time at full load (min) :	166
Energy consumption electric dryer, partial load - NEW (2010/30/EC) (kWh) :	1.24
Standard cotton programme time at partial load (min) :	108
Weighted annual energy consumption, electric dryer - NEW (2010/30/EC) (kWh) :	259.0
Power consumption in off-mode (W) - NEW (2010/30/EC) :	0.10
Power consumption in left-on mode (W) - NEW (2010/30/EC) :	0.10
Duration of the left-on mode - NEW (2012/30/EC) (min) :	30
Weighted programme time (min) :	133
Condensation efficiency class - NEW (2010/30/EC) :	A
Average condensation efficiency full load (%) :	91
Average condensation efficiency partial load (%) :	91
Weighted condensation efficiency (%) :	91



## Serie | 8, Heat pump tumble dryer, 9 kg WTW87561SG

### Energy Efficient, perfect drying results everytime

---

#### Technical Information

- Capacity: 9 kg
- Dimensions (H x W x D): 84.2 cm x 59.8 cm x 59.9 cm
- 39 cm porthole, 170 ° swing door
- Operating noise for drying dB: 64

#### Programmes

- Cottons, Synthetics, Mix, Delicates, Wool Finish, Timed Program Cold, Timed Program Warm, AllergyPlus, Super Quick 40', Towels, Sportswear., Down Wear, Duvet, Shirts/Blouses

#### Features

- SelfCleaning Condenser automatically cleans itself and keeps the dryer running at peak efficiency at all times
- Sensitive Drying system combines warm air currents and a gentle drum structure for dry clothes
- Fine-adjustment of drying intensity to customise your preferred level of dryness
- Anti-crease cycle 120 min at the end of programme
- Touch Control Buttons: Low heat, less ironing, programme length, start/pause, fine-tuning of drying aim, 24h end time delay
- Anti-Vibration Side Panels reduce vibrations and ensure greater stability during the washing and spinning process.

#### Display Screen & Alerts

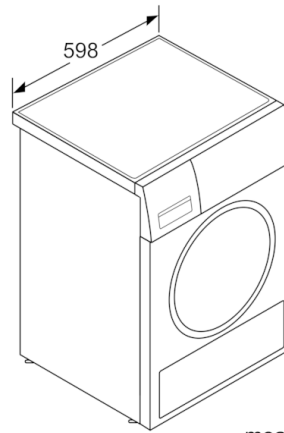
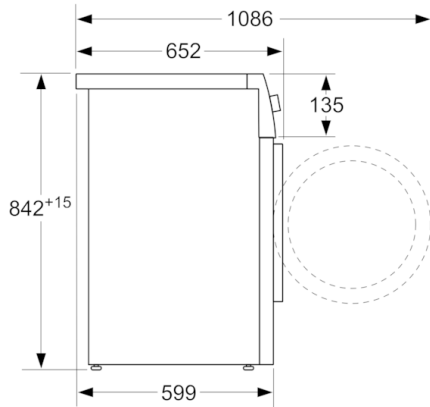
- LED Display for remaining time and 24 Hr end time delay, programme status indication, special functions
- Buzzer at the end of the wash programme

#### Safety

- Child-proof lock
- Duo-Tronic Sensors monitors moisture levels and temperature to reach desired levels of dryness and to prevent overheating

**Serie | 8, Heat pump tumble dryer, 9 kg  
WTW87561SG**

measurements in mm



measurements in mm