

**Series 4, Condenser tumble dryer, 8 kg
WTB86201SG**



- WMZ20600 Wool in basket - accessory
- WTZ1110 Condenser drainage kit
- WTZ11400 Stacking kit with pull-out shelf
- WTZ20410 Stacking kit
- WTZPW20D Platform with pull-out, dryer, cubic

The Avantixx with large 8 kg drum: for soft and even drying of large capacities.

- **1-8 kg load:** dry up to 8 kg of laundry.
- **SensitiveDrying System:** gentledrying without wrinkling thanks its unique drum design and movements.
- **AutoDry:** gently dries laundry to precisely the degree of dryness you want.
- **Noise Level:** dries pleasantly quiet.
- **AntiVibration™ Design:** Highly stable and extremely quiet thanks to special vibration protection.

Built-in / Free-standing: Free-standing
 Removable top: No
 Door hinge: Right
 Color / Material body: White
 Length electrical supply cord: 145.0 cm
 Dimensions: 842 x 598 x 613 mm
 Net weight: 41.4 kg
 Drum volume: 112 l
 Connection rating: 2600 W
 Fuse protection: 13 A
 Voltage: 220-240 V
 Frequency: 50 Hz
 Drying process: automatic
 Loading capacity: 8.0 kg
 Energy efficiency rating: B
 Energy consumption electric dryer, full load - NEW (2010/30/EC): 4.63 kWh
 Standard cotton programme time at full load: 137 min
 Energy consumption electric dryer, partial load - NEW (2010/30/EC): 2.61 kWh
 Standard cotton programme time at partial load: 79 min
 Weighted annual energy consumption, electric dryer - NEW (2010/30/EC): 560.0 kWh/annum
 Power consumption in off-mode - NEW (2010/30/EC): 0.10 W
 Power consumption in left-on mode - NEW (2010/30/EC): 0.50 W
 Weighted programme time: 104 min
 Condensation efficiency class - NEW (2010/30/EC): B
 Average condensation efficiency full load (%): 88 %
 Average condensation efficiency partial load (%): 88 %
 Weighted condensation efficiency (%): 88 %



Series 4, Condenser tumble dryer, 8 kg WTB86201SG

The Avantixx with large 8 kg drum: for soft and even drying of large capacities.

- Large and easily accessible lint filter
- Drum light interior
- Child Proof Lock
- End of cycle Indicator
- pull-open latch

Technical Information

- Capacity: 8 kg
- Dimensions (H x W x D): 84.2 cm x 59.8 cm x 61.3 cm
- Dryer type: Condenser
- Electronic humidity control
- Energy efficiency class: B
- Energy consumption 560.0 kWh per year, based on 160 drying cycles of the standard cotton programme at full and partial load, and the consumption of the low-power modes. Actual energy consumption per cycle will depend on how the appliance is used

Programmes

- Woollen Finish, Mix, Time program warm, Time program cold, Allergy Plus / Hygiene, Sports Wear, Down Wear, Super 40, Shirts 15

Performance

- Energy consumption of the standard cotton programme at full load 4.63 kWh and energy consumption of the standard cotton programme at half load 2.61 kWh
- power consumption in off-mode 0.1 W and in left-on mode 0.5 W
- The programme Cotton cupboard dryused at full and partial load is the standard drying programme to which the information in the label and the fiche relates, this programme is suitable for drying normal wet cotton laundry and is the most efficient programme in terms of energy consumption for cotton.
- Weighted programme time of the standard cotton programme at full and partial load: 104 min.
- Programme time of the standard cotton programme at full load 137 min and programme time of the standard cotton programme at partial load 79 min.
- Condensation efficiency class B on a scale from G (least efficient) to A (most efficient).
- Average condensation efficiency of the standard cotton programme at full load 88 % and average condensation efficiency of the standard cotton programme at partial load 88 %.
- Weighted condensation efficiency for the standard cotton programme at full and partial load: 88 %.
- Noise level: 65 dB

Additional Information

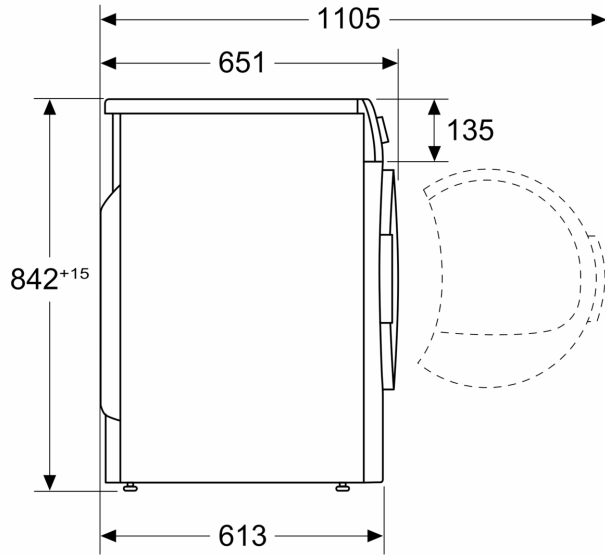
- Anti crease cycle 120 min at the end of the programme
- Touch Control Buttons: start/pause, Low Heat, Less Ironing, programme length, Fine-tuning of drying aim, 24 h Ready in

Convenience and Safety

- DUO-Tronic
- Fully electronic control dial for sensor drying programmes, timed and special programmes
- LED-Display for remaining time and 24 h end time delay, programme status indication, special functions
- Sensitive Drying Design: Stainless steel drum with textile care structure; soft design paddles
- AntiVibration™ Design: Stability and Quietness

**Series 4, Condenser tumble dryer, 8
kg
WTB86201SG**

Measurements in mm



Measurements in mm

