

**Serie | 4, Vented tumble dryer, 7 kg  
WTA74201SG**

**Optional accessories**

WTZ11311 :

**The vented dryer with SensitiveDrying system: dry your laundry no longer than necessary and save energy.**

- **AutoDry:** gently dries laundry to precisely the degree of dryness you want.
- **AntiVibration™ Design:** Highly stable and extremely quiet thanks to special vibration protection.
- **Fast drying:** dries your laundry considerably faster than before.
- **SensitiveDrying System:** gentledrying without wrinkling thanks its unique drum design and movements.
- Anti-Vibration Side Panels reduce vibrations and ensure greater stability during the washing and spinning process

**Technical Data**

Built-in / Free-standing :	Free-standing
Removable top :	No
Door hinge :	Right
Color / Material body :	White
Length electrical supply cord (cm) :	145.0
Height of removable worktop (mm) :	842
Dimensions of the product (mm) :	842 x 598 x 601
Net weight (kg) :	33.033
Drum volume (l) :	112
Connection Rating (W) :	2000
Current (A) :	10
Voltage (V) :	220-240
Frequency (Hz) :	50
Approval certificates :	CE, VDE
Drying process :	automatic
Capacity cotton (kg) - NEW (2010/30/EC) :	7.0
Energy efficiency rating :	C
Energy consumption electric dryer, full load - NEW (2010/30/EC) (kWh) :	4.10
Standard cotton programme time at full load (min) :	130
Energy consumption electric dryer, partial load - NEW (2010/30/EC) (kWh) :	2.40
Standard cotton programme time at partial load (min) :	80
Weighted annual energy consumption, electric dryer - NEW (2010/30/EC) (kWh) :	504.0
Power consumption in off-mode (W) - NEW (2010/30/EC) :	0.10
Power consumption in left-on mode (W) - NEW (2010/30/EC) :	0.50
Weighted programme time (min) :	101
Condensation efficiency class - NEW (2010/30/EC) :	C



4 242002 938394

## Serie | 4, Vented tumble dryer, 7 kg WTA74201SG

**The vented dryer with SensitiveDrying system: dry your laundry no longer than necessary and save energy.**

---

### **Performance**

- Capacity 7 kg

### **Programmes**

- Woollen Finish, Mix, towels, Time program warm, Time program cold, Sports Wear, Super 40, shirts/blouses

### **Additional Information**

- Anti crease cycle 120 min at the end of the programme
- Touch Control Buttons: start/pause, Low Heat, Less Ironing, programme length, Fine-tuning of drying aim, 24 h Ready in

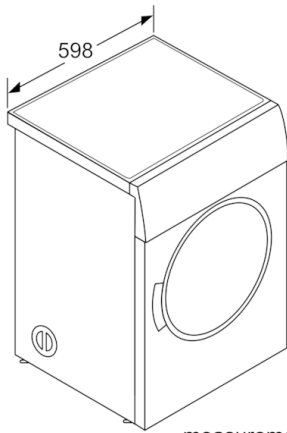
### **Convenience and Safety**

- DUO-Tronic
- Electronic humidity control
- Fully electronic control dial for sensor drying programmes, timed and special programmes
- LED-Display for remaining time and 24 h end time delay, programme status indication, special functions
- Sensitive Drying Design: Galvalume drum with textile care structure; soft design paddles
- AntiVibration™ Design: Stability and Quietness
- Vent hose
- Child Proof Lock
- End of cycle Indicator
- pull-open latch
- Door hinge: right-hand

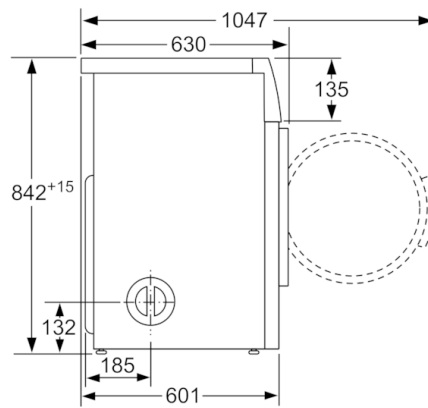
### **Technical Information**

- Dimensions (H x W x D): 84.2 cm x 59.8 cm x 60.1 cm
- slide-under

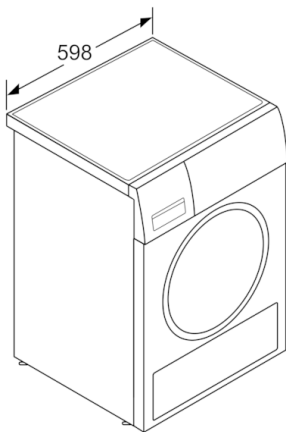
**Serie | 4, Vented tumble dryer, 7 kg  
WTA74201SG**



measurements in mm



measurements in mm



measurements in mm