

**Series 8, Washing machine, front loader, 9 kg, 1400 rpm WAV28L40SG**



- **EcoSilence Drive™:** Advanced motor offering maximum efficiency, economy, durability, performance and exceptionally quiet operation
- **SpeedPerfect:** perfectly clean in up to 65% less time\*.
- **AllergyPlus programme:** specially developed for the needs of allergy sufferers.
- **Vario Drum:** gently and efficiently wash with even water distribution and without creasing garments.

---

Built-in / Free-standing: .....	Free-standing
Door hinge: .....	Left
Color / Material body: .....	White
Length electrical supply cord: .....	210.0 cm
Height for building under: .....	850.00 mm
Height of the appliance: .....	848 mm
Dimensions of the product: .....	848 x 598 x 590 mm
Wheels: .....	No
Net weight: .....	74.2 kg
Drum volume: .....	65 l
Door Frame: .....	Chrome, blackgray
Noise level washing: .....	48 dB(A) re 1 pW
Connection rating: .....	2300 W
Fuse protection: .....	10 A
Voltage: .....	220-240 V
Frequency: .....	50 Hz
Energy Star Qualified: .....	No
Cord Included: .....	Yes
Plug type: .....	GB plug
Length of supply hose (in): .....	59.05 "
Dimensions of the packed product: .....	34.44 x 25.19 x 26.57
Net weight: .....	164.000 lbs
Gross weight: .....	166.000 lbs
Length of drain hose: .....	150.00 cm
Length of supply hose: .....	150.00 cm
Dimensions of the packed product (HxWxD): .....	875 x 675 x 640 mm
Gross weight: .....	75.2 kg
Connection rating: .....	2300 W
Fuse protection: .....	10 A
Voltage: .....	220-240 V
Frequency: .....	50 Hz
Water protection system: .....	Aquastop
Max. spin speed: .....	1400 rpm
Spin speed options: .....	Variable
Digital countdown indicator: .....	Yes
Drying progress indicator: .....	LED-display
Maximum capacity in kg (EU 2017/1369): .....	9.0 kg

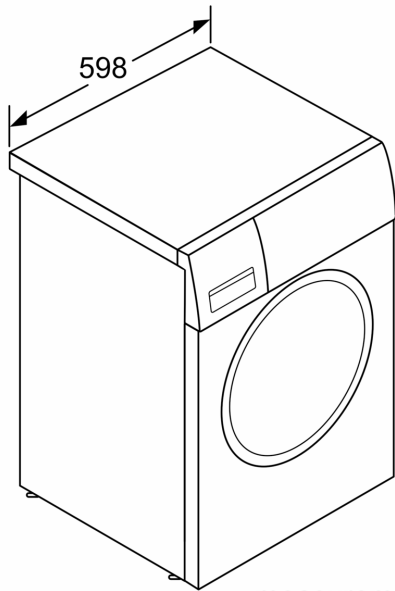
---

WMZ2200 Floor securing component  
 WMZ2381 Extension for cold water inlet /Aquastop

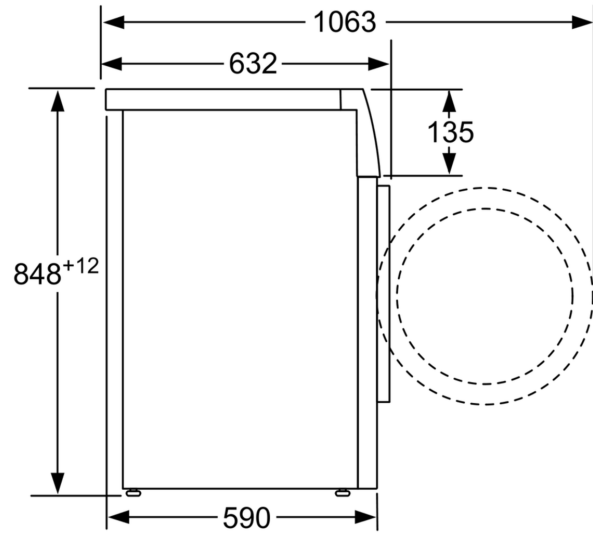


**Series 8, Washing machine, front loader, 9 kg, 1400 rpm  
WAV28L40SG**

---



measurements in mm



measurements in mm