

Built-in fully automatic coffee machine, Stainless steel TCC78K751



Included accessories

1 x water filter cartridge, 1 x measuring spoon, 1 x assembly screws, 1 x milk container, 1 x cleaning tablets, 1 x test strip, 1 x connection hose for milk frother

Optional accessories

TCZ7003 : Accessories small appliances

Baristas' private passion. Enjoy any coffee speciality at home at the touch of a button.

- Innovative heating system "senso flow system"
- High-value ceramic grinding unit "silent ceram drive"
- AromaDouble Shot - Extra strong coffee without compromise in aroma
- **Reduced heating-up time:** fastest first cup!
- Water pump with 19 bar pressure

Technical Data

Built-in / Free-standing : Built-in

Frothing nozzle : No

Display : No

Water protection system : no

Portion sizes : All cups

Dimensions : 454 x 595 x 535 mm

Dimensions of the packed product (HxWxD) : 540 x 600 x 670 mm

Min. required niche size for installation (HxWxD) : 450 x 564 x 514 mm

Hot water spout : No

Standby function : Yes

Simultaneous preparation of 2 cups : Yes

Included accessories : 1 x water filter cartridge, 1 x measuring spoon, 1 x assembly screws, 1 x milk container, 1 x cleaning tablets, 1 x test strip, 1 x connection hose for milk frother

Optional accessories : TCZ6001, TCZ7003, TCZ8002, TCZ8004

Fuse protection : 10 A

Voltage : 220-240 V

Frequency : 50/60 Hz

Plug type : GARDY plug w/ earthing

Product group : Built-in coffee machine

Brand : Bosch

Product name / Commercial code : TCC78K751

Main colour of product : Stainless steel

Typology : Fully automatic

Length electrical supply cord : 150.0 cm

Recommended height for installation : 450 mm

Dimensions : 454 x 595 x 535 mm

Dimensions of the packed product (HxWxD) : 540 x 600 x 670 mm

Net weight : 58.000 lbs

Net weight : 26.5 kg

Gross weight : 66.000 lbs

Gross weight : 29.8 kg

Capacity water container : 2.5 l

Included accessories : 1 x water filter cartridge, 1 x measuring spoon, 1 x assembly screws, 1 x milk container, 1 x cleaning tablets, 1 x test strip, 1 x connection hose for milk frother



Built-in fully automatic coffee machine, Stainless steel TCC78K751

Baristas' private passion. Enjoy any coffee speciality at home at the touch of a button.

- Innovative heating system "senso flow system"
- High-value ceramic grinding unit "silent ceram drive"
- AromaDouble Shot - Extra strong coffee without compromise in aroma
- Reduced heating-up time: fastest first cup!
- Water pump with 19 bar pressure
- Yes Yes separately available

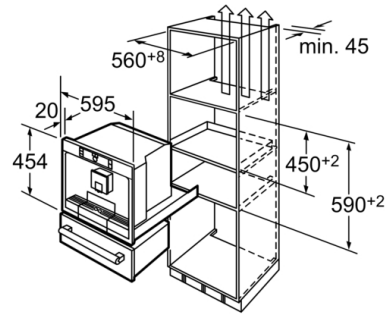
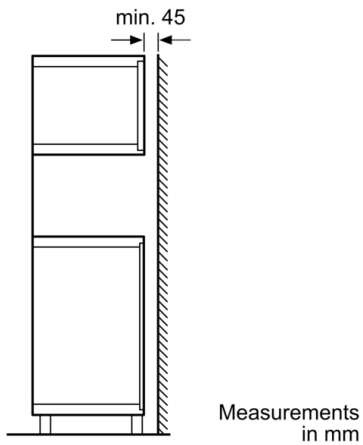
Hygiene

- All milk nozzle parts are easily removable, separable, easy to clean & dishwasher-proof
- Fully automatic descaling & cleaning programme
- yes: Complete emptying of all pipes after each brewing process

Convenience

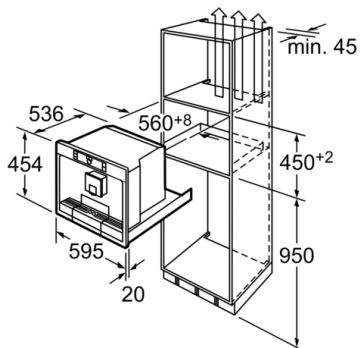
- Removable 2.5 litre water tank
- Removable drip dish including container for coffee grounds
- Separate container for pre-grounded coffee
- Wattage: 1700 W
- Included accessories: measuring spoon, test strip, water filter cartridge, connection hose for milk frother, milk container, assembly screws
- Separately available accessories: cleaning tabs (TCZ6001), descaling tabs (TCZ6002), BRITA-Intenza filter cartridge (TCZ7003), care-set for fully-automatic espresso makers (TCZ7004), insulated milk container (TCZ7009)

**Built-in fully automatic coffee machine,
Stainless steel
TCC78K751**



The fully automatic espresso machine can be fitted above a warming drawer. An intermediate floor is not required.

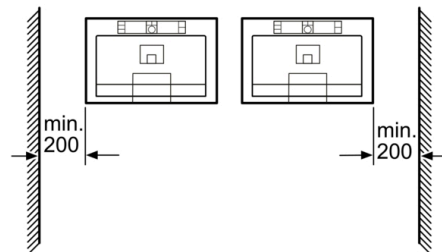
measurements in mm



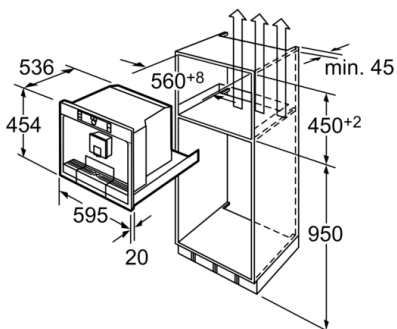
An installation height >950 mm makes it difficult to fill the containers for beans and water which are fitted on the top.

measurements in mm

Fully automatic espresso machine
left-hand corner installation right-hand corner installation



Measurements in mm



An installation height >950 mm makes it difficult to fill the containers for beans and water which are fitted on the top.

measurements in mm