

**Series 6, Fully-integrated dishwasher,  
60 cm  
SMV6ZCX42E**



**PerfectDry dishwashers for best drying results with an intensive cleaning zone for spotless clean dishes.**

- **Home Connect:** home appliances with smart connectivity for an easier everyday life.
- **EcoSilence Drive:** Revolutionary technology to generate a powerful, durable, quiet and efficient wash
- **Extra Clean Zone:** extra thorough cleaning for heavily soiled items in the upper basket.

**Technical Data**

Energy Efficiency Class (Regulation (EU) 2017/1369): C  
 Energy Consumption for 100 cycles Eco Programme (EU 2017/1369): 75 kWh  
 Maximum number of place settings (EU 2017/1369): 14  
 The water consumption of the eco programme in liters per cycle (EU 2017/1369): 9.5 l  
 Programme duration (EU 2017/1369): 3:55 h  
 Airborne acoustical noise emissions (EU 2017/1369): 44 dB(A) re 1 pW  
 Airborne acoustical noise emission class (EU 2017/1369): B  
 Cleaning performance: A  
 Water consumption: 9.5 l  
 Total annual energy consumption 220 days: 183 kWh  
 Total annual water consumption 220 days: 2090 l  
 Built-in / Free-standing: Built-in  
 Removable top: No  
 Door panel options: Not possible  
 Height of removable worktop: 0 mm  
 Height of the product: 815 mm  
 Adjustable feet: Yes - all from front  
 Maximum adjustability feet: 60 mm  
 Net weight: 46.6 kg  
 Gross weight: 48.5 kg  
 Connection Rating: 2400 W  
 Fuse protection: 10 A  
 Voltage: 220-240 V  
 Frequency: 50; 60 Hz  
 Length electrical supply cord: 175 cm  
 Plug type: GARDY plug w/ earthing  
 Length inlet hose: 165 cm  
 Length outlet hose: 190 cm  
 Hidden heating element: Yes  
 Water protection system description: Triple water protection 24h  
 Child safety devices: No  
 Water softener: Yes  
 Top basket type: R3  
 Adjustable upper basket: Rackmatic 3-stage  
 Bottom basket type: R3  
 3rd Rack: 3rd Rack 1.1  
 Optional accessories: SMZ1051EU, SMZ2056, SMZ5003, SMZ5005, SMZ5035, SMZ5100, SMZ5300, SGZ8BI00, SGZ0IC00, SGZ1010  
 Included accessories 2: vapor barrier plate  
 Number of place settings: 14  
 Color / Material panel: Grey  
 Dimensions of the product (HxWxD): 815 x 598 x 550 mm  
 Dimensions of the packed product (HxWxD): 880 x 670 x 660 mm



## Series 6, Fully-integrated dishwasher, 60 cm SMV6ZCX42E

**PerfectDry dishwashers for best drying results with an intensive cleaning zone for spotless clean dishes.**

---

### Specification

- Capacity: 14 place settings
- Dimension (WxHxD): 59.8 x 81.5 x 55 cm
- Noise level (silence programme): 42 dB(A) re 1 pW
- Energy<sup>2</sup> / Water<sup>3</sup>: 75 kWh / 9.5 litres

### Programmes

- 8 Programmes: Intensive 70°C, Auto 45-65°C, Eco 50°C, Silence 50°C, Short 60°C, Glass 40°C, Quick 45°C, Pre-rinse
- 4 special options: Remote Start, Extra Dry, Intensive Zone, SpeedPerfect+

### Features

- Silence on Demand (via app)
- Zeolith Drying Technology
- Favourite Programme
- Heat exchanger.
- Dosage Assist Basket ensures the tablets are dissolving properly
- Machine Care
- BLDC Motor
- Detergent Automation
- 3-fold corrugated filter
- Inner Tub: Stainless Steel
- Glass Care System
- Funnel
- Incl. Steam Protection Plate
- Push button top controls
- Time Indicator (min)
- Time Delay: 1 - 24 hours

### Baskets and Racks

- Cutlery drawer 1.1
- Adjustable upper rack: Rackmatic 3-stage
- 2 foldable plate racks in top basket
- 6 Foldable Plate Racks in Bottom Basket
- Low friction wheels on lower rack and 3rd loading level
- Rack Stopper to prevent derailing of lower basket

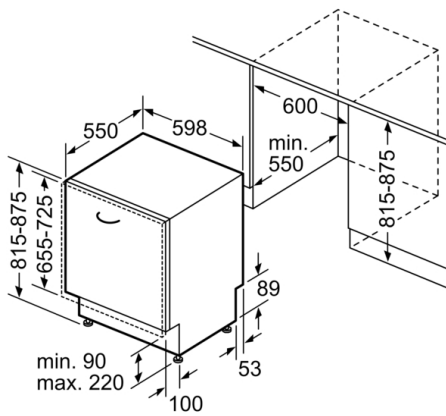
### Safety

- Aqua Stop - Prevent Water Leakage

<sup>2</sup> Energy consumption in kWh per 100 cycles (in programme Eco 50 °C)

<sup>3</sup> Water consumption in litres per cycle (in programme Eco 50 °C)

## Series 6, Fully-integrated dishwasher, 60 cm SMV6ZCX42E



measurements in mm

